



FITTING INSTRUCTIONS FOR CP0377 CRASH PROTECTORS
KTM RC 125/200/390 2014-



PICTURE A

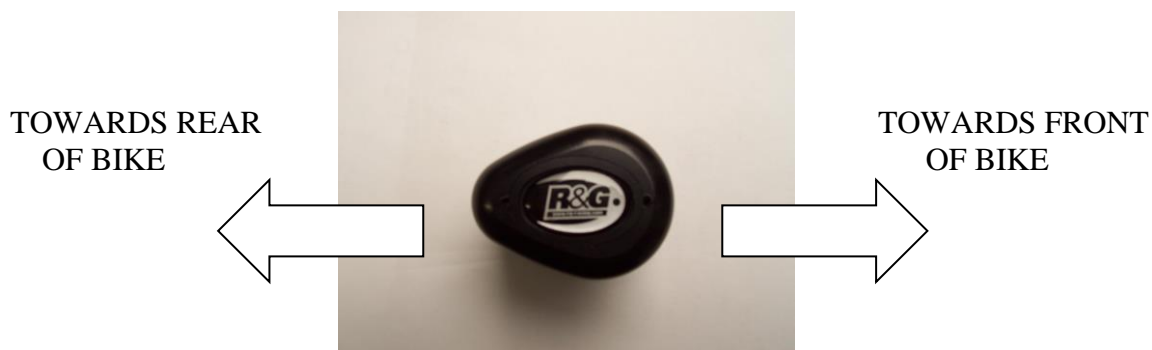


PICTURE B

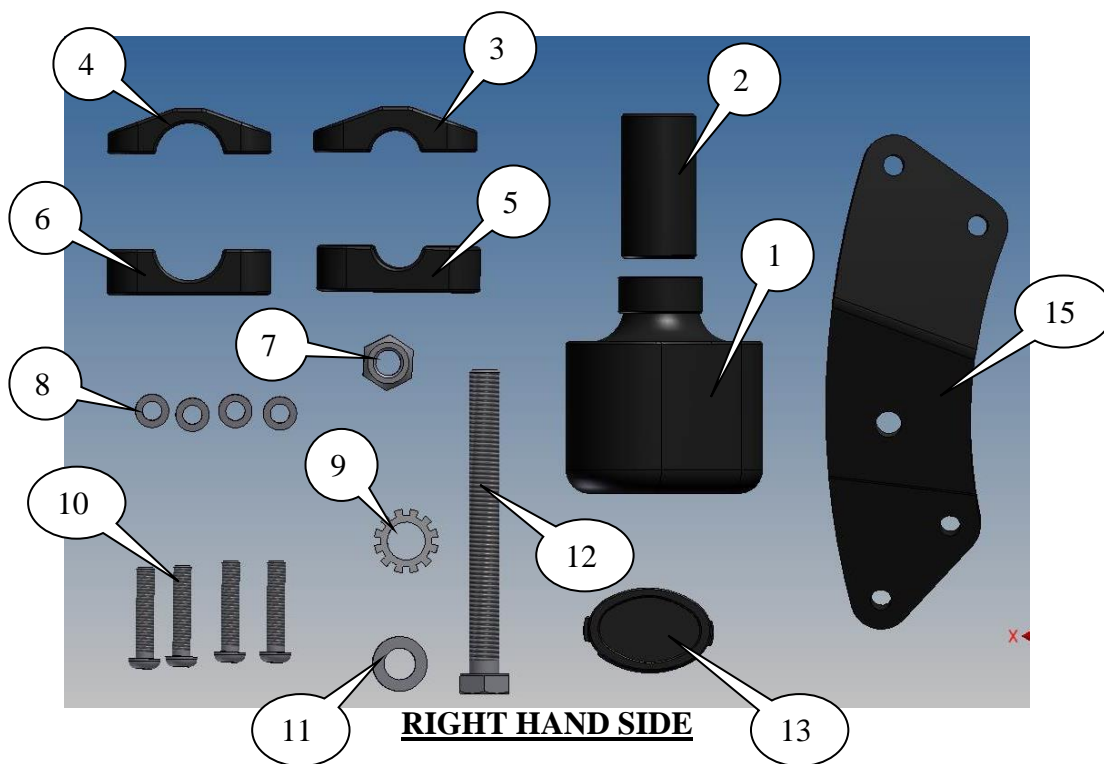
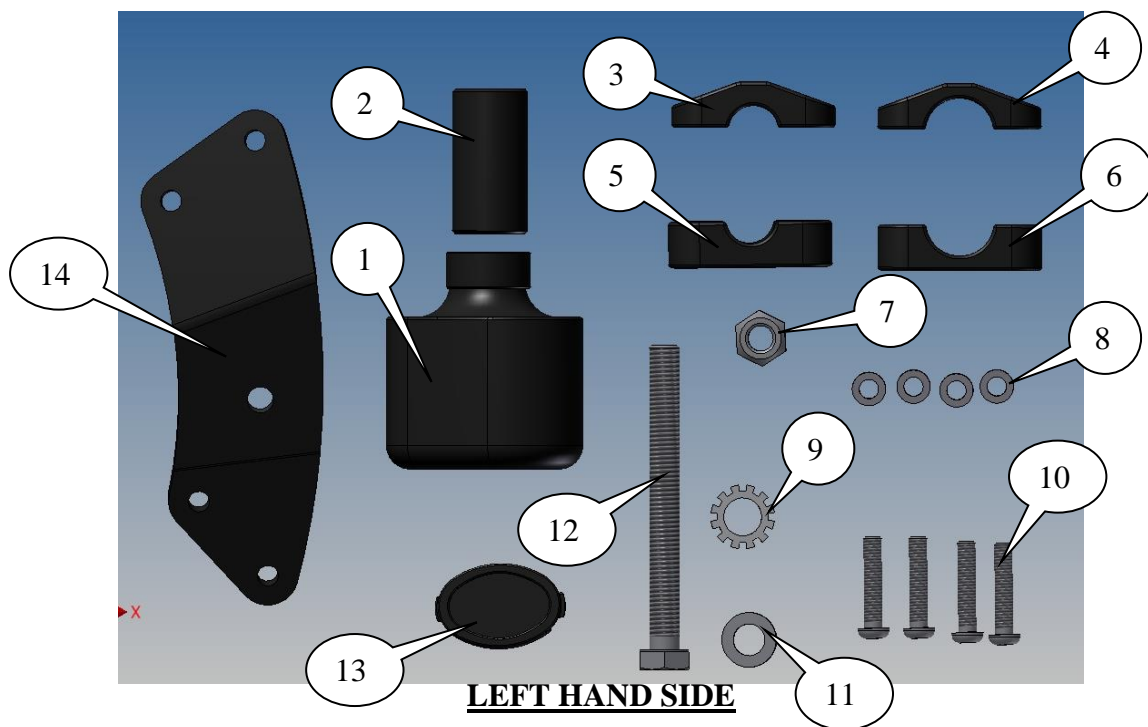
THIS KIT CONTAINS THE ITEMS PICTURED AND LISTED BELOW.
DO NOT PROCEED UNTIL YOU ARE SURE ALL PARTS ARE PRESENT.

Please note that the way the kit is packed does not necessarily represent the way of mounting to the bike

THE PARTS SHOWN MAY BE REPRESENTATIVE ONLY (FOR CLARITY OF INSTRUCTIONS ONLY)



PICTURE C





LEGEND

- ITEM 1 = B0431 with CS341 (10mm) (BOTH CRASH PROTECTORS) (x2).
- ITEM 2 = S0252 (SPACERS 47.5mm LONG) (x2).
- ITEM 3 = F0040 16mm (THREADED CLAMP) (x2)
- ITEM 4 = F0039 22mm (THREADED CLAMP) (x2)
- ITEM 5 = F0042 16mm (CLAMP SPACER) (x2)
- ITEM 6 = F0041 22mm (CLAMP SPACER) (x2)
- ITEM 7 = M10 NYLOC NUTS (x2).
- ITEM 8 = M6 WASHERS (x8).
- ITEM 9 = LW0001 (SHAKE PROOF WASHERS) (x2).
- ITEM 10 = M6x35mm LONG BUTTON HEAD BOLTS (x8).
- ITEM 11 = M10 WASHERS (x2).
- ITEM 12 = M10 x 1.25 x 100mm LONG HEX HEAD BOLTS (CRASH PROTECTOR BOLTS) (x2).
- ITEM 13 = BC0002 (CRASH PROTECTOR CAPS) (x2).
- ITEM 14 = SMW0047 (LEFT HAND SIDE MOUNTING PLATE) (x1).
- ITEM 15 = SMW0048 (RIGHT HAND SIDE MOUNTING PLATE) (x1).

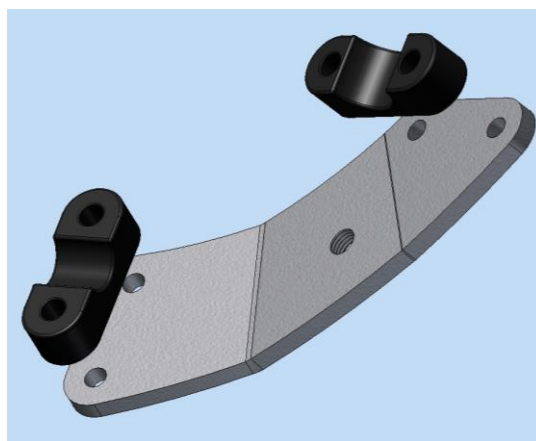
Please note that in cases where kits are packed with rubber washers holding the components onto the bolt – *the rubber washers should be thrown away!*

TOOLS REQUIRED

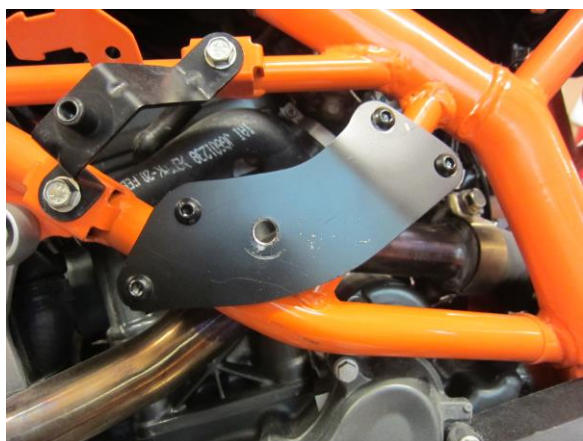
- Socket set to include 17mm socket and wrench.
 - 17mm spanner/wrench.
- Allen key set to include 4 and 5mm A/F.
 - Torque wrench (up to 40Nm).
 - Small amount of super glue.



Picture 1



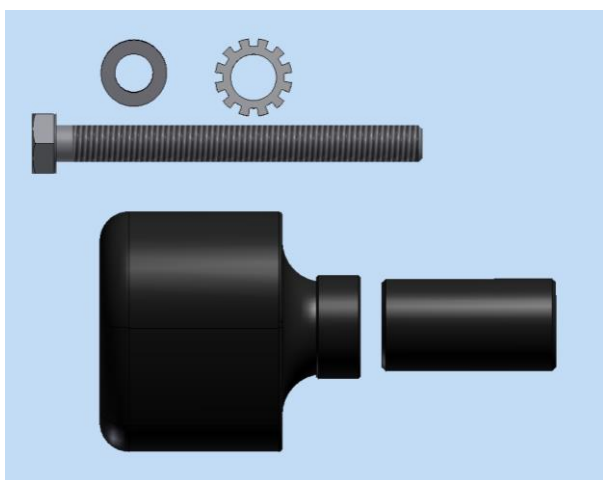
Picture 2



Picture 3



Picture 4



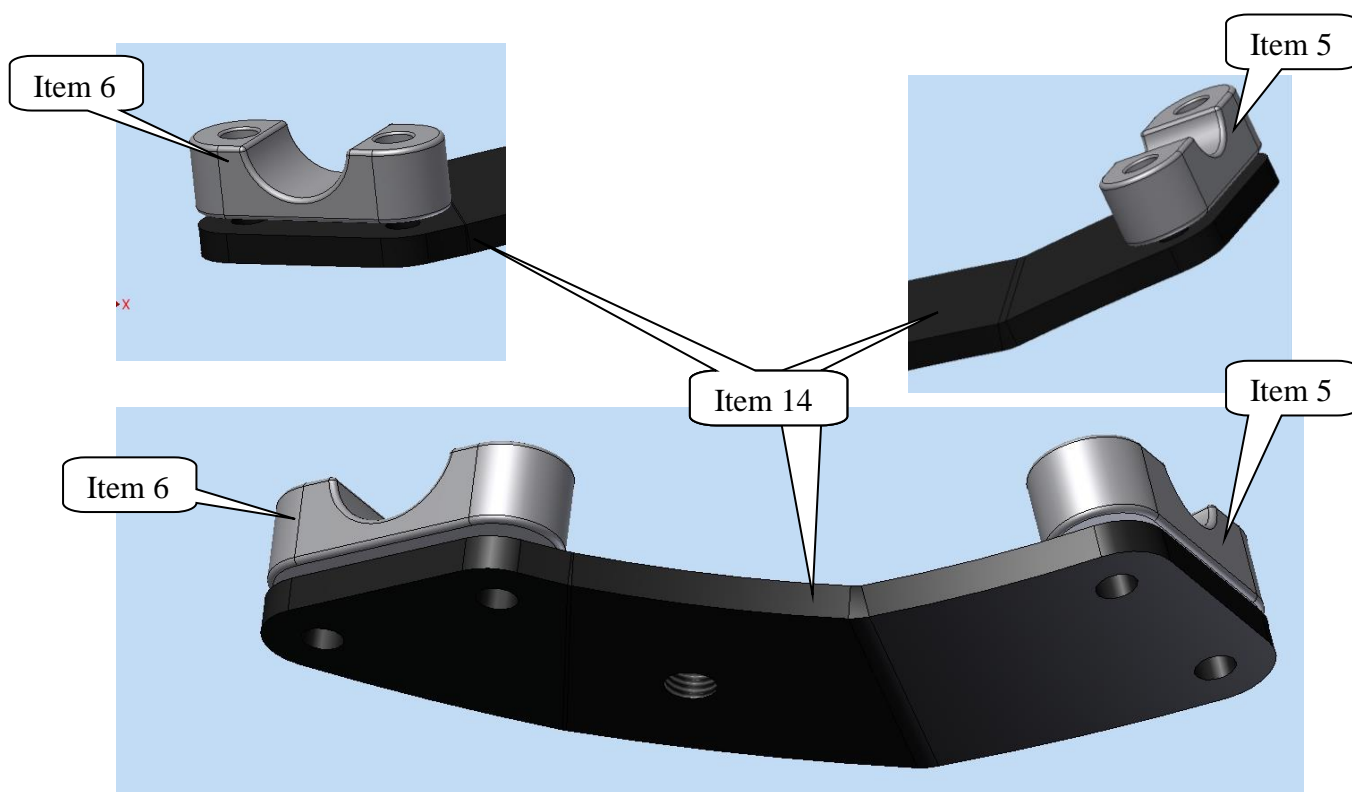
Picture 5



Picture 6

Left-hand side (as you sit on bike)

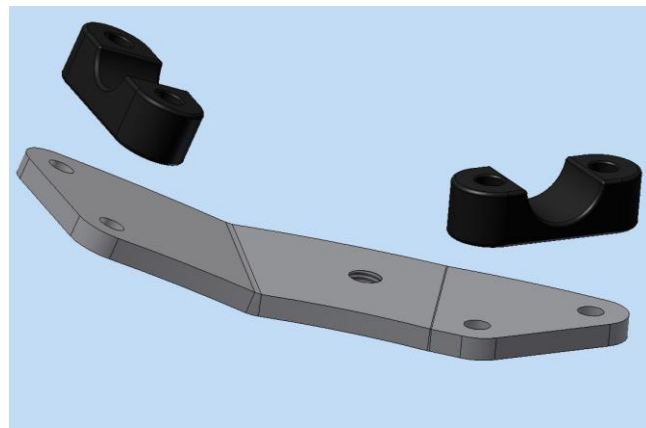
- Remove the fairing bolt arrowed in picture 1 and gently ease fairing away from frame.
- Place the clamp spacers (item 5 with the smaller bore and item 6 with larger bore) onto the left hand side mounting plate (item 14) as shown in picture 2 and below and stick in place using the bolts to align with the holes.



- Offer into position as shown in pictures 3 and 4.
- Place the appropriate threaded clamps (items 3 and 4) around the frame and secure using the M6 bolts and washers (items 10 and 8).
- Place the M10 plain washer (item 11) onto the M10x100mm long hex headed bolt (item 12), next place the shake proof washer (item 9) onto bolt up to the plain washer just fitted.
- Place the bolt assembly through the crash protector (item 1) then place the spacer (item 2) over the exposed end of the bolt as shown in picture 6.
- Offer this assembly into the threaded hole in the mounting plate (item 14) as shown in picture 6 and tighten ensuring it does not contact the fairing. **PLEASE NOTE THE CRASH PROTECTOR (SLIDER) MUST BE POSITIONED AS SHOWN IN PICTURE C WITH BIGGER END TOWARD FRONT OF BIKE AND TIGHTEN.** (DO NOT EXCEED 40Nm TORQUE).
- Fit the M10 nyloc nut (item 7) to the exposed end of the thread (on the inboard face of the mounting plate) and tighten.
- Fit the crash protector cap (item 13) into the crash protector.



Picture 7



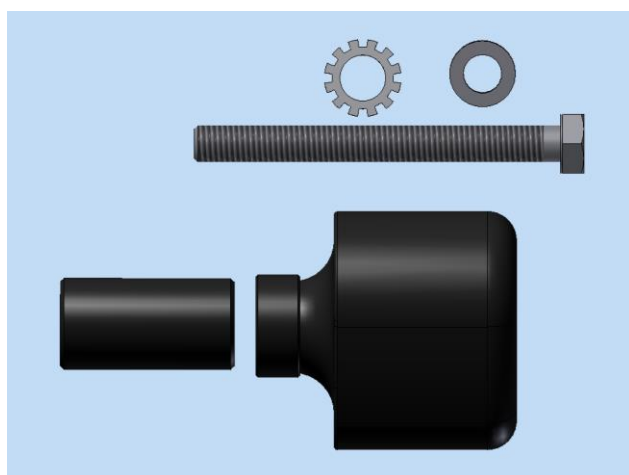
Picture 8



Picture 9



Picture 10



Picture 11

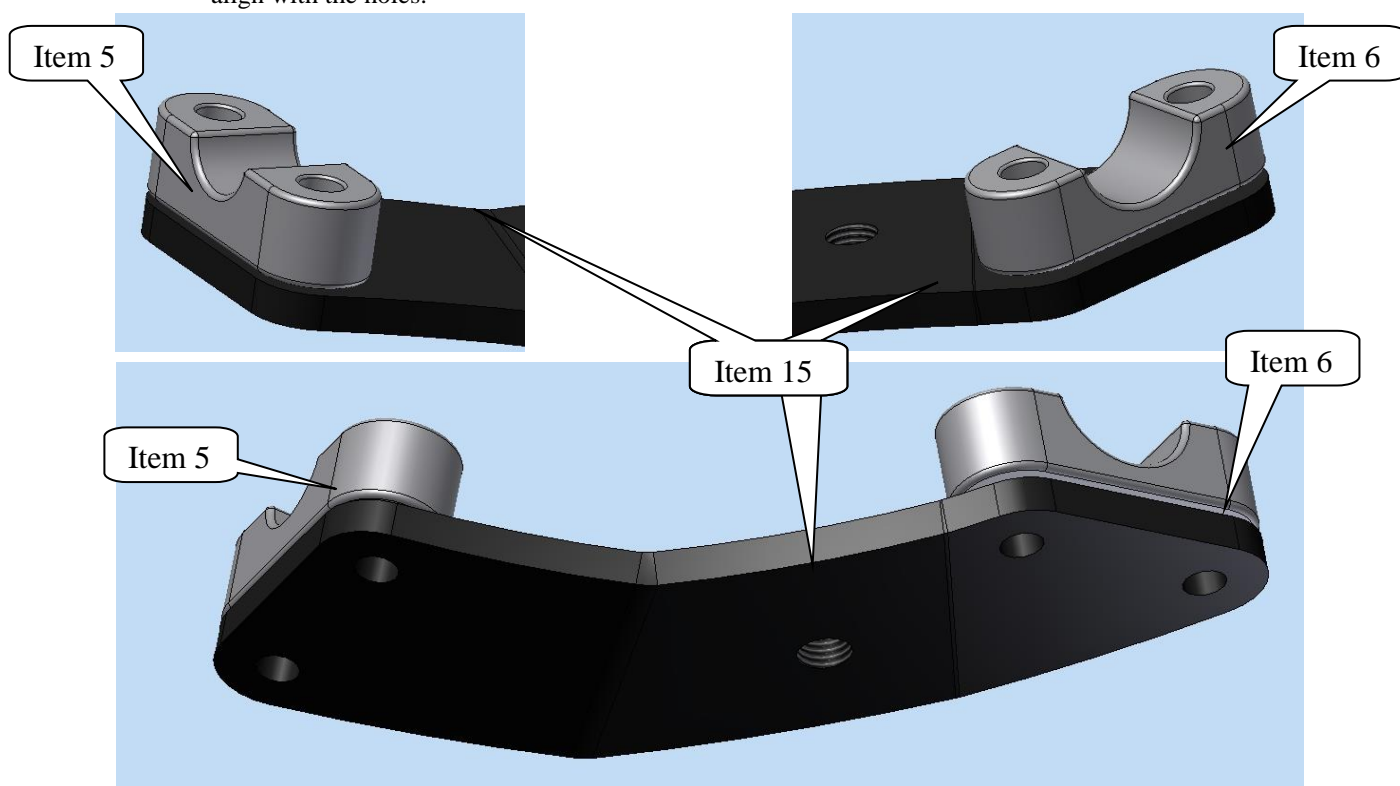


Picture 12



Right-hand side (as you sit on bike)

- Remove the fairing bolt arrowed in picture 7 and gently ease fairing away from frame.
- Place the clamp spacers (item 5 with the smaller bore and item 6 with larger bore) onto the right hand side mounting plate (item 15) as shown in picture 8 and below and stick in place using the bolts to align with the holes.



- Offer into position as shown in pictures 9 and 10.
- Place the appropriate threaded clamps (items 3 and 4) around the frame and secure using the M6 bolts and washers (items 10 and 8).
- Place the M10 plain washer (item 11) onto the M10x100mm long hex headed bolt (item 12), next place the shake proof washer (item 9) onto bolt up to the plain washer just fitted.
- Place the bolt assembly through the crash protector (item 1) then place the spacer (item 2) over the exposed end of the bolt as shown in picture 12.
- Offer this assembly into the threaded hole in the mounting plate (item 15) as shown in picture 12 and tighten ensuring it does not contact the fairing. **PLEASE NOTE THE CRASH PROTECTOR (SLIDER) MUST BE POSITIONED AS SHOWN IN PICTURE C WITH BIGGER END TOWARD FRONT OF BIKE AND TIGHTEN. (DO NOT EXCEED 40Nm TORQUE).**
- Fit the M10 nyloc nut (item 7) to the exposed end of the thread (on the inboard face of the mounting plate) and tighten.
- Fit the crash protector cap (item 13) into the crash protector.



ISSUE 1 23/01/2015 (NSY)

CONSUMER NOTICE

The catalogue description and any exhibition of samples are only broad indications of the Products and R&G may make design changes which do not diminish their performance or visual appeal and supplying them in such state shall conform to the order. The Buyer acknowledges no representation or warranty (other than as to title) has been given or will apply to the Products other than those in R&G's order or confirmation and the Buyer confirms it has chosen the Products as being of merchantable quality and suitable for its particular purposes. Where R&G fits the Products or undertakes other services it shall exercise reasonable skill and care and rectify any fault free of charge unless the workmanship has been disturbed. The Buyer is responsible for ensuring that the warranty on the motorcycle is not affected by the fitting of the Products. On return of any defective Products R&G shall at its option either supply a replacement or refund the purchase money but shall not be liable if the Products have been modified or used or maintained otherwise than in accordance with R&G's or manufacturer's instructions and good engineering practice or if the defect arises from accident or neglect. Other than identified above and subject to R&G not limiting its liability for causing death and personal injury, it shall not be liable for indirect or consequential loss and otherwise its liability shall be limited to the amounts paid by the Buyer for the Products or the fitting or service concerned. These terms do not affect the Buyer's statutory rights.

R&G RACING RETURNS POLICY (NON-FAULTY GOODS)

Returns must be pre-authorized (if not pre-authorized the return will be rejected). Goods may only be returned direct to us if they were purchased direct from us (customer must prove if necessary). Otherwise to be returned to original vendor. Goods must be in re-sellable condition, in the opinion of R&G Racing. All returns are subject to a 25% restocking and handling fee (25% of the gross value exc. P&P – at the prevailing price at time of purchase). The customer must pay any and all carriage charges. No returns of discontinued products, unless within 14 days of purchase. This policy does not affect your statutory rights and does not refer to faulty goods.



INSTRUCTIONS DE MONTAGE POUR CP0377 PROTECTIONS LATERALES
KTM RC 125/200/390 2014-



PHOTO A

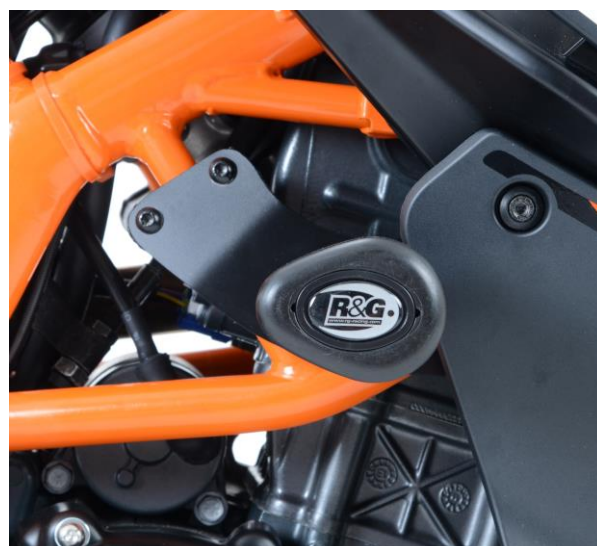


PHOTO B

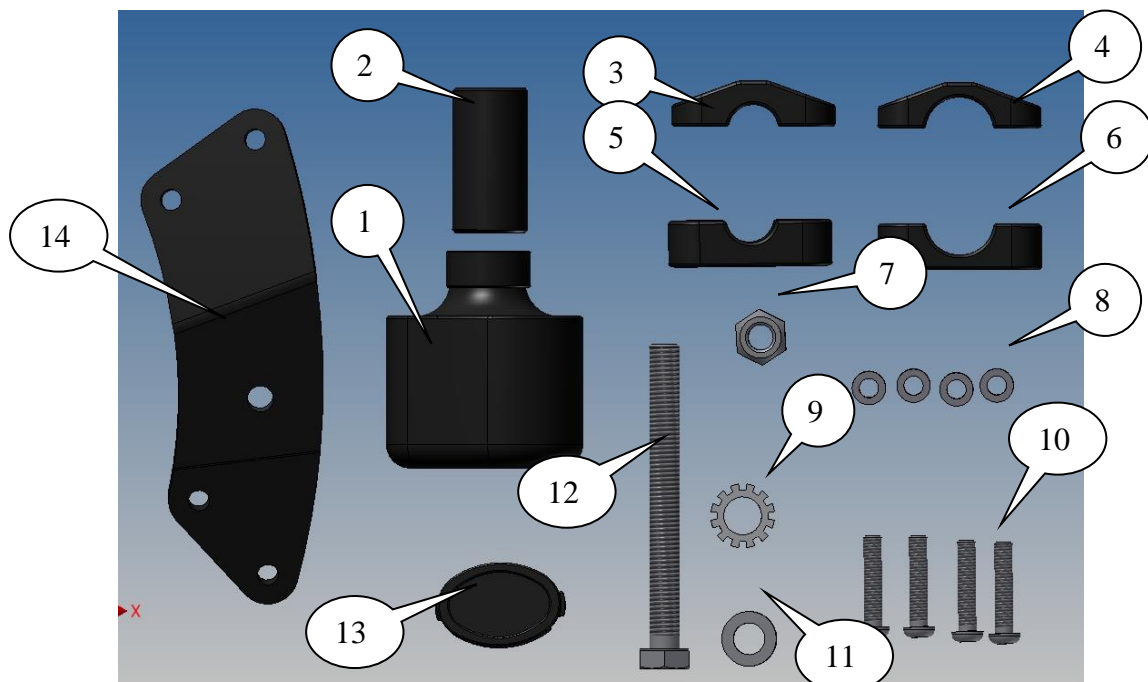
LE KIT CONTIENT LES ARTICLES EXPOSES CI-DESSOUS, VERIFIER QUE TOUTES LES PIECES SOIENT PRESENTES AVANT DE PROCEDER AU MONTAGE.

La façon dont le kit est emballé ne correspond pas forcément à la façon de monter les pièces sur la moto.

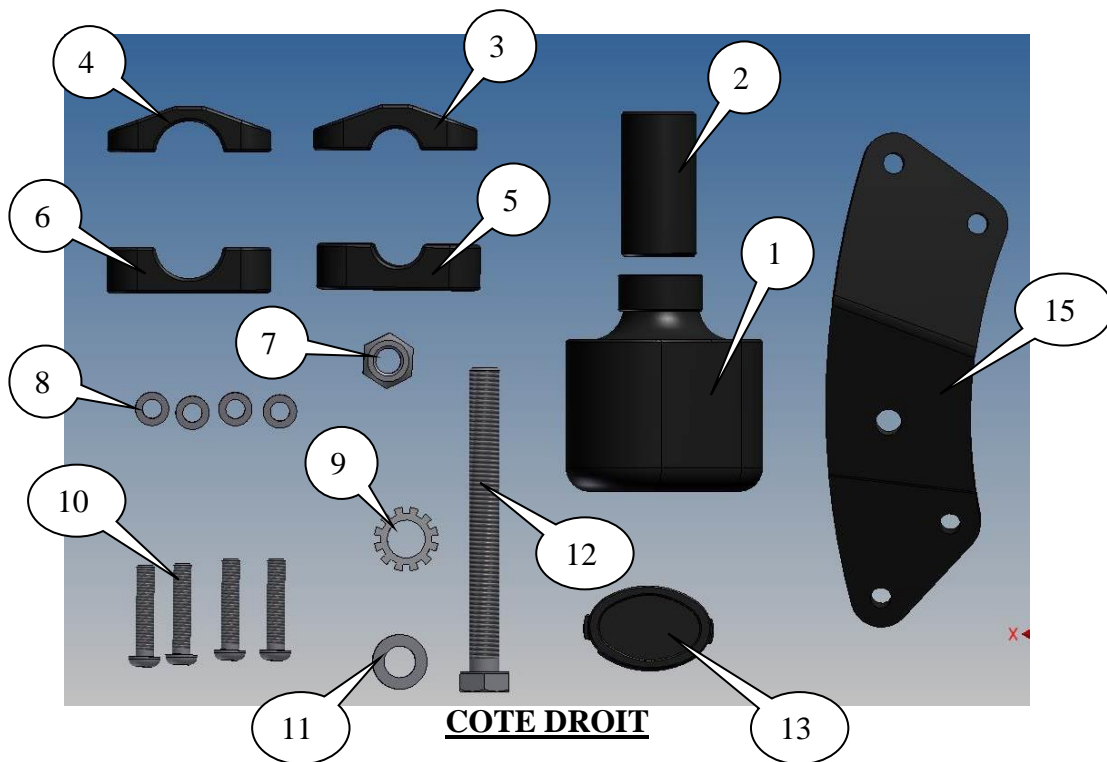
LES PARTIES PRESENTEES PEUVENT ETRE UNIQUEMENT REPRESENTATIVES (POUR LA CLARTE DES INSTRUCTIONS UNIQUEMENT).



PHOTO C



COTE GAUCHE



COTE DROIT



LEGENDE

- ARTICLE 1 = B0431 avec CS341 (10mm) (LES DEUX PROTECTIONS CRASH) (x2).
 ARTICLE 2 = S0252 (ENTRETOISES 47.5mm DE LONG) (x2).
 ARTICLE 3 = F0040 16mm (ATTACHE FILETEE) (x2)
 ARTICLE 4 = F0039 22mm (ATTACHE FILETEE) (x2)
 ARTICLE 5 = F0042 16mm (ENTRETOISE D'ATTACHE) (x2)
 ARTICLE 6 = F0041 22mm (ENTRETOISE D'ATTACHE) (x2)
 ARTICLE 7 = M10 ECROUS (x2).
 ARTICLE 8 = M6 RONDELLES (x8).
 ARTICLE 9 = LW0001 (RONDELLES ANTI VIBRATION) (x2).
 ARTICLE 10 = M6x35mm BOULONS (x8).
 ARTICLE 11 = M10 RONDELLES (x2).
 ARTICLE 12 = M10 x 1.25 x 100mm BOULONS (BOULONS DE PROTECTION CRASH) (x2).
 ARTICLE 13 = BC0002 (CAPUCHONS DE PROTECTION CRASH) (x2).
 ARTICLE 14 = SMW0047 (PLAQUE DE FIXATION COTE GAUCHE) (x1).
 ARTICLE 15 = SMW0048 (PLAQUE DE FIXATION COTE DROIT) (x1).

Notez que si les kits sont emballés avec des rondelles en caoutchouc servant à tenir les composants, *ces rondelles doivent être jetées!*

TOOLS REQUIRED

- Clé et douille 17mm.
- Clé à molette 17mm.
- Clé Allen 4 et 5mm.
- Clé dynamométrique (à 40Nm).
- Un peu de superglue



Photo 1

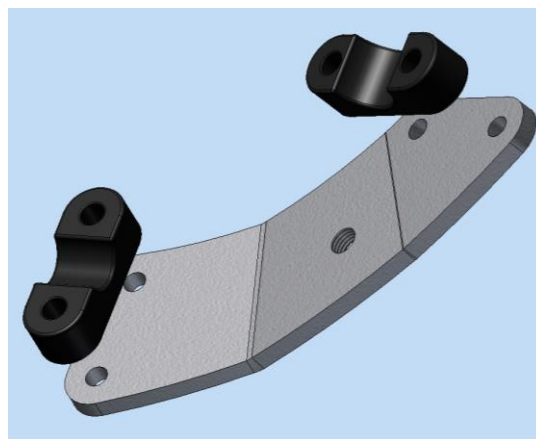


Photo 2

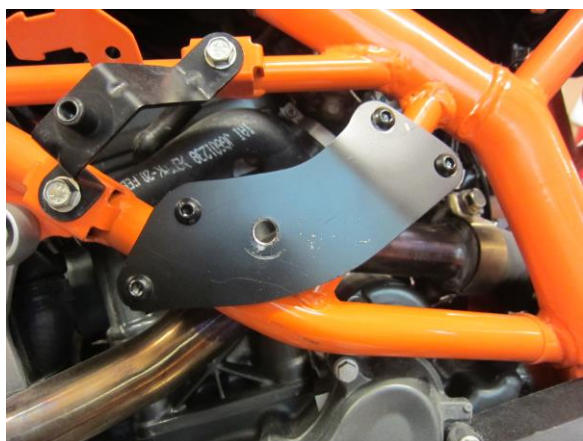


Photo 3



Photo 4

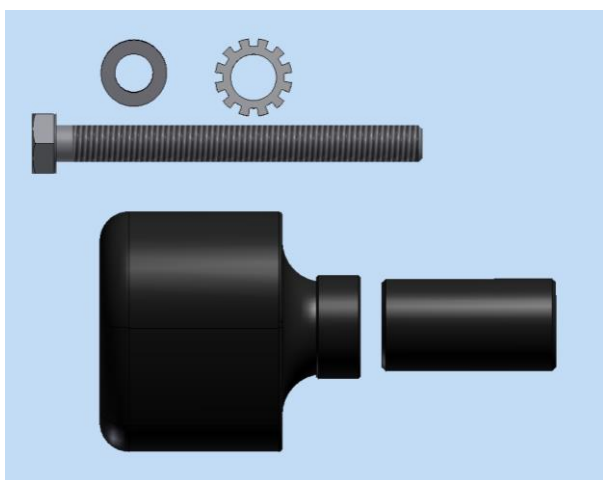


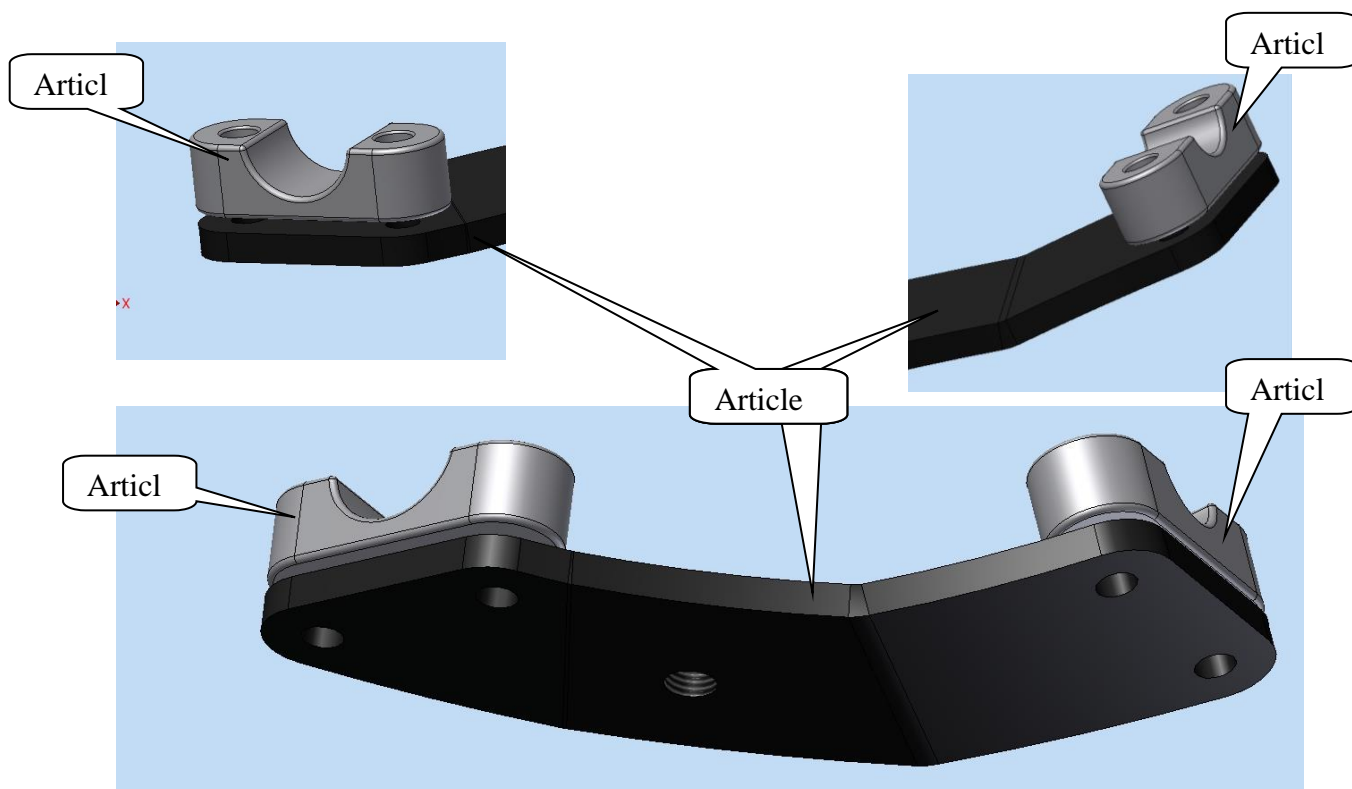
Photo 5



Photo 6

Coté gauche (assis sur la moto)

- Enlever le boulon de carénage (photo 1) puis extraire le carénage de la moto.
- Placer les entretoises d'attache (article 5) avec le plus petit calibre et l'article 6 avec le calibre le plus large sur la plaque de fixation coté gauche (article 14) comme sur la photo 2 et en dessous puis fixer la position en insérant les boulons, correctement alignés avec les trous.



- Monter en position, voir photos 3 et 4.
- Placer les attaches filetées (articles 3 et 4) autour du cadre puis fixer en utilisant les boulons M6 et les rondelles (articles 10 et 8).
- Placer la rondelle M10 (article 11) sur le boulon M10x100mm (article 12), puis placer la rondelle anti vibration (article 9) sur le boulon et la rondelle plate tout juste insérée.
- Placer l'assemblage du boulon dans la protection crash (article 1) puis placer l'entretoise (article 2) sur l'extrémité du boulon, voir photo 6.
- Monter l'ensemble sur le trou fileté dans la plaque de fixation (article 14) voir photo 6 puis serrer en veillant à ce qu'il ne puisse potentiellement pas entrer en contact avec le carénage. **LA PROTECTION (SLIDER) DOIT ETRE POSITIONNEE COMME EN "C" AVEC LE COTE ARRONDI LE PLUS GROS EN DIRECTION DE L'AVANT DE LA MOTO.** (NE PAS EXCEDER 40Nm DE COUPLE).
- Insérer l'écrou M10 (article 7) sur l'extrémité du filetage (sur la face intérieure de la plaque de fixation) puis serrer.
- Placer le capuchon de protection crash (article 13) dans la protection crash.



Photo 7

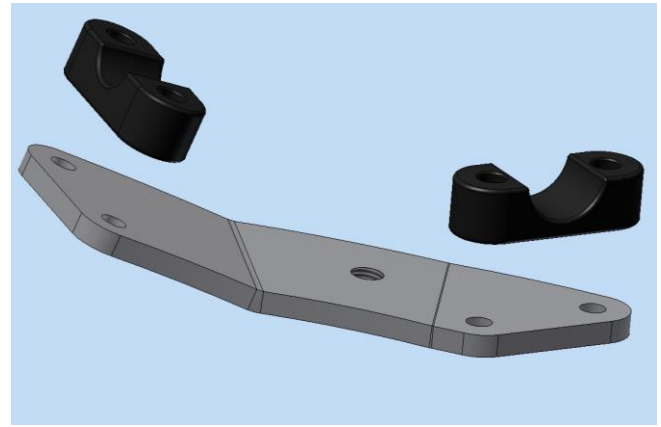


Photo 8



Photo 9



Photo 10

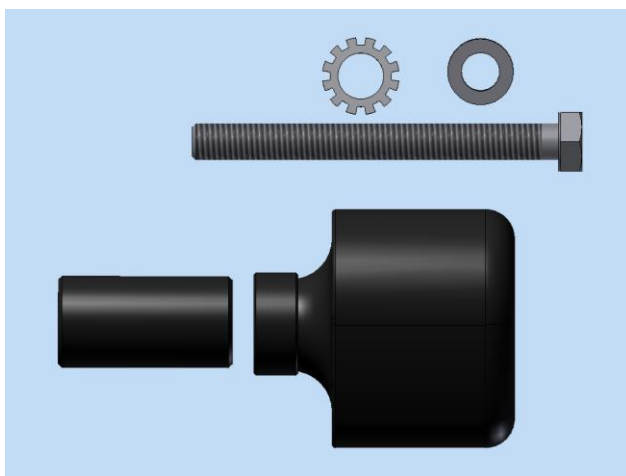


Photo 11

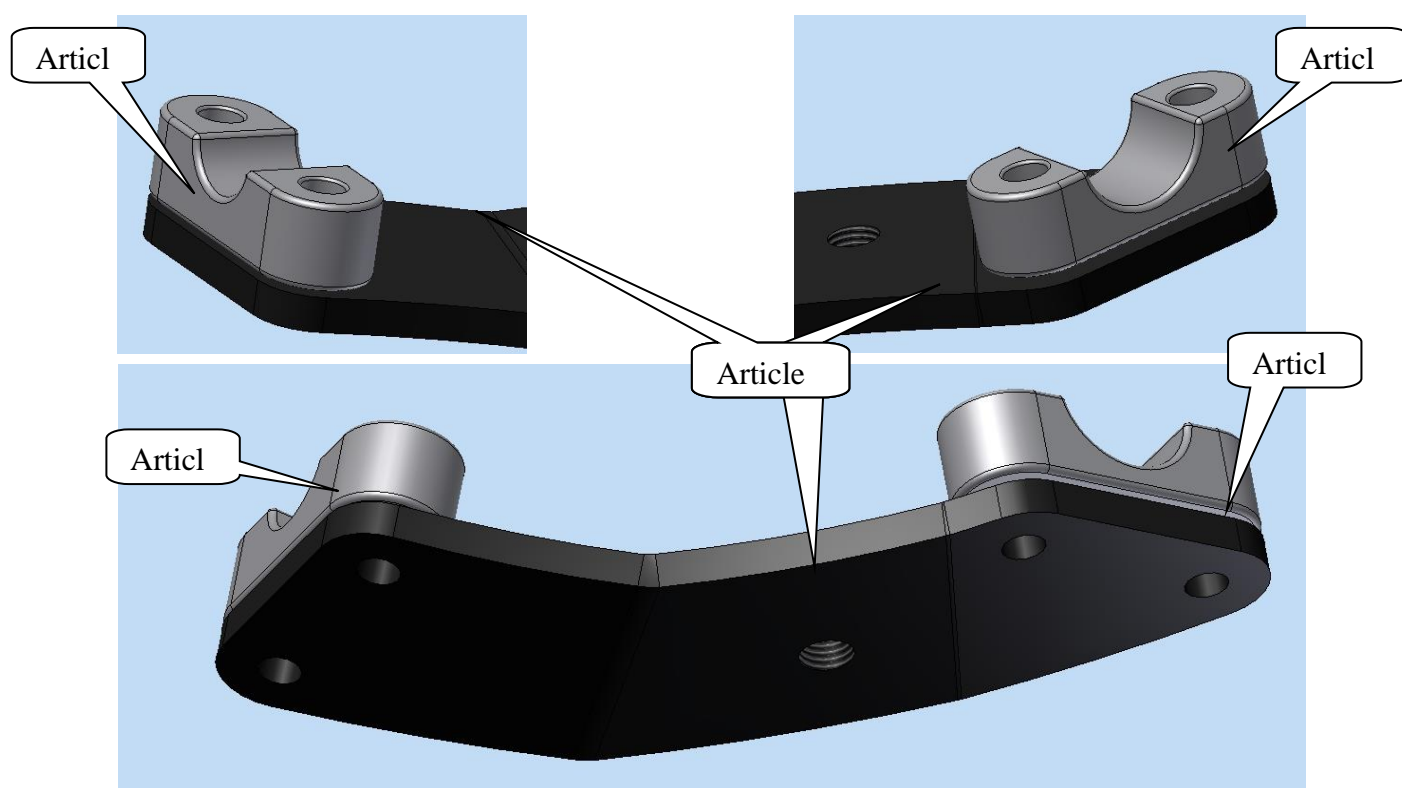


Photo 12



Coté droit (assis sur la moto)

- Enlever le boulon de carénage (photo 7) puis extraire le carénage de la moto
- Placer les entretoises d'attache (article 5) avec le plus petit calibre et l'article 6 avec le calibre le plus large sur la plaque de fixation coté droit (article 15) comme sur la photo 8 et en dessous puis fixer la position en insérant les boulons, correctement alignés avec les trous.



- Monter en position, voir photos 9 et 10.
- Placer les attaches filetées (articles 3 et 4) autour du cadre puis fixer en utilisant les boulons M6 et les rondelles (articles 10 et 8).
- Placer la rondelle M10 (article 11) sur le boulon M10x100mm (article 12), puis placer la rondelle anti vibration (article 9) sur le boulon et la rondelle plate tout juste insérée.
- Placer l'assemblage du boulon dans la protection crash (article 1) puis placer l'entretoise (article 2) sur l'extrémité du boulon, voir photo 12.
- Monter l'ensemble sur le trou fileté dans la plaque de fixation (article 15) voir photo 12 puis serrer en veillant à ce qu'il ne puisse potentiellement pas entrer en contact avec le carénage. **LA PROTECTION (SLIDER) DOIT ETRE POSITIONNEE COMME EN "C" AVEC LE COTE ARRONDI LE PLUS GROS EN DIRECTION DE L'AVANT DE LA MOTO.** (NE PAS EXCEDER 40Nm DE COUPLE).
- Insérer l'écrou M10 (article 7) sur l'extrémité du filetage (sur la face intérieure de la plaque de fixation) puis serrer.
- Placer le capuchon de protection crash (article 13) dans la protection crash.



ISSUE 1 23/01/2015 (NSY)

CONSUMER NOTICE

The catalogue description and any exhibition of samples are only broad indications of the Products and R&G may make design changes which do not diminish their performance or visual appeal and supplying them in such state shall conform to the order. The Buyer acknowledges no representation or warranty (other than as to title) has been given or will apply to the Products other than those in R&G's order or confirmation and the Buyer confirms it has chosen the Products as being of merchantable quality and suitable for its particular purposes. Where R&G fits the Products or undertakes other services it shall exercise reasonable skill and care and rectify any fault free of charge unless the workmanship has been disturbed. The Buyer is responsible for ensuring that the warranty on the motorcycle is not affected by the fitting of the Products. On return of any defective Products R&G shall at its option either supply a replacement or refund the purchase money but shall not be liable if the Products have been modified or used or maintained otherwise than in accordance with R&G's or manufacturer's instructions and good engineering practice or if the defect arises from accident or neglect. Other than identified above and subject to R&G not limiting its liability for causing death and personal injury, it shall not be liable for indirect or consequential loss and otherwise its liability shall be limited to the amounts paid by the Buyer for the Products or the fitting or service concerned. These terms do not affect the Buyer's statutory rights.

R&G RACING RETURNS POLICY (NON-FAULTY GOODS)

Returns must be pre-authorized (if not pre-authorized the return will be rejected). Goods may only be returned direct to us if they were purchased direct from us (customer must prove if necessary). Otherwise to be returned to original vendor. Goods must be in re-sellable condition, in the opinion of R&G Racing. All returns are subject to a 25% restocking and handling fee (25% of the gross value exc. P&P – at the prevailing price at time of purchase). The customer must pay any and all carriage charges. No returns of discontinued products, unless within 14 days of purchase. This policy does not affect your statutory rights and does not refer to faulty goods.