



**FITTING INSTRUCTIONS FOR CP0385BL AERO CRASH PROTECTORS**  
**BRAMMO EMPULSE R 2014-**



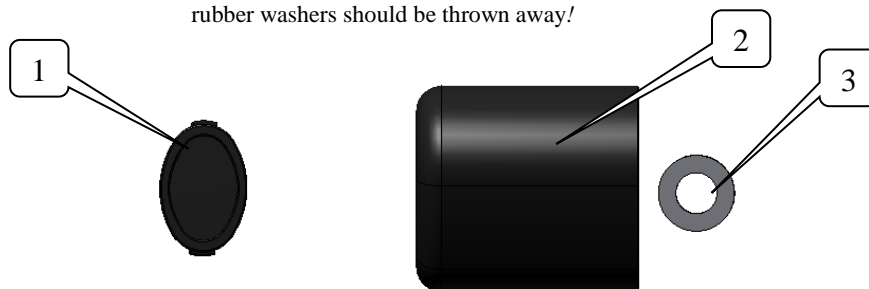
PICTURE 'A'



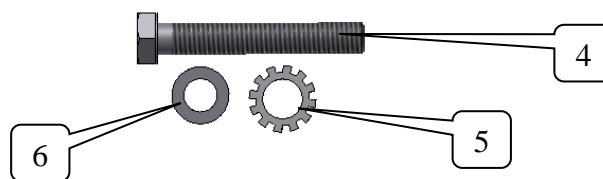
REAR OF BIKE FRONT OF BIKE

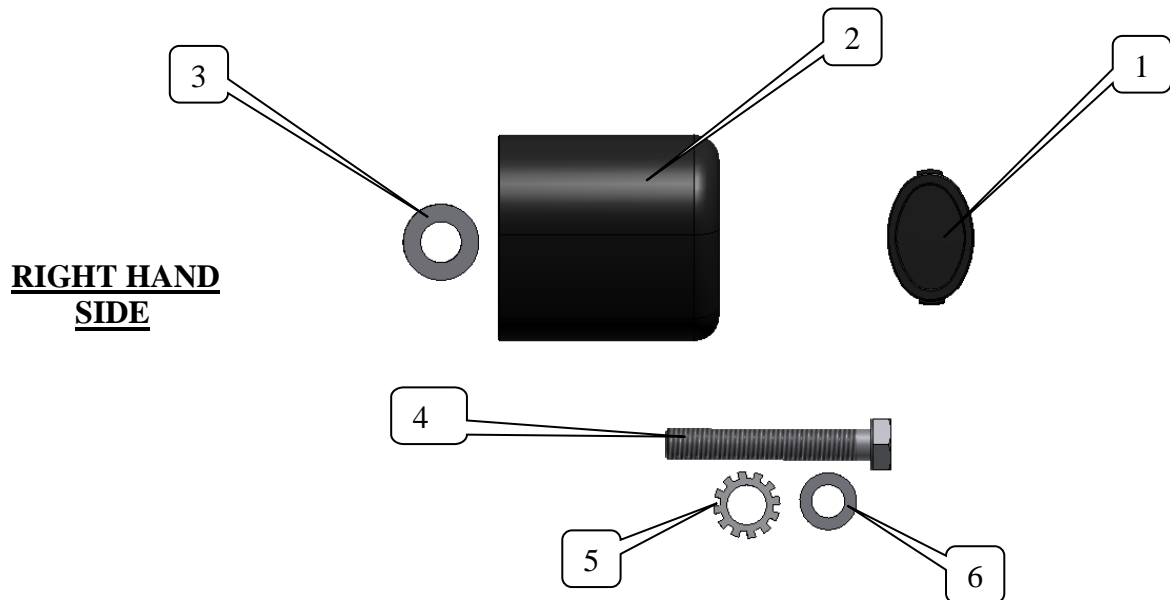
PICTURE 'C'

**Please note that the way the kit is packed does not necessarily represent the way of mounting to the bike**  
*Please note that in cases where kits are packed with rubber washers holding the components onto the bolt – the rubber washers should be thrown away!*



**LEFT HAND**  
**SIDE**





### **LEGEND**

ITEM 1 = BC0002 CRASH PROTECTOR CAPS (x2).

ITEM 2 = B0061 with CS0341 (10mm) (CRASH PROTECTOR) (x2).

ITEM 3 = D0003 DISC SPACER 46.5mm LONG (SPACERS) (x2).

ITEM 4 = M10x1.5x 65mm LONG HEX HEAD BOLT (CRASH PROTECTOR BOLTS) (x1).

ITEM 5 = LW0001 (M12 SHAKE PROOF WASHERS) (x2).

ITEM 6 = M12 PLAIN WASHERS (x2).

### **You will need the following tools to complete this job.**

- Socket set to include 17mm socket and wrench.
- Torque wrench (up to 40Nm).

### **FITTING INSTRUCTIONS**

#### **Near side (left side as you sit on bike)**

- Slide one of the 10mm washers (item 6) onto one of the M10 hexagon headed bolts (item 4) so washer sits against head of bolt.
- Slide one of serrated locking washer (item 5) over the bolt so it sits against the washer just fitted.
- Next slide bolt and washer through either of the crash protectors (item 2) so head of bolt goes into counter-bore in the crash protector.
- Slide one of the larger disc spacers (item 3) over the exposed end of the bolt so it sits against the crash protector.
- Offer this assembly up to frame mount and tighten bolt until you feel some compression from inside the protector using 17mm socket and wrench. **PLEASE NOTE THE CRASH PROTECTOR MUST BE POSITIONED AS IN PICTURE 'C' ABOVE WITH BIGGER END TOWARD FRONT OF BIKE.** Turn a little more so that you feel the compression increase slightly. Then apply a quarter turn. Do not overtighten as damage can occur to the bike. Do not exceed 40Nm of torque.
- If not already fitted, fit the bubble sticker into recess of crash protector cap (item 1).

R&G Racing

Unit 1, Shelley's Lane, East Worldham, Alton, Hampshire, GU34 3AQ

Tel: +44 (0)1420 89007 Fax: +44 (0)1420 87301 [www.rg-racing.com](http://www.rg-racing.com) Email: [info@rg-racing.com](mailto:info@rg-racing.com)



- Fit the crash protector cap (item 1) into the crash protector.

**Off side (right side as you sit on bike)**

- Slide the remaining 10mm washer (item 6) onto the remaining M10 hexagon headed bolts (item 4) so washer sits against head of bolt.
- Slide the remaining serrated locking washer (item 5) over the bolt so it sits against the washer just fitted.
- Next slide bolt and washer through the remaining crash protector (item 2) so head of bolt goes into counter-bore in the crash protector.
- Slide the remaining larger disc spacer (item 3) over the exposed end of the bolt so it sits against the crash protector.
- Offer this assembly up to frame mount and tighten bolt until you feel some compression from inside the protector using 17mm socket and wrench. **PLEASE NOTE THE CRASH PROTECTOR MUST BE POSITIONED AS IN PICTURE 'C' ABOVE WITH BIGGER END TOWARD FRONT OF BIKE.** Turn a little more so that you feel the compression increase slightly. Then apply a quarter turn. Do not overtighten as damage can occur to the bike. Do not exceed 40Nm of torque.
- If not already fitted, fit the bubble sticker into recess of crash protector cap (item 1).
- Fit the crash protector cap (item 1) into the crash protector.

**Digital copies of these instructions are available to download from [www.rg-racing.com](http://www.rg-racing.com)**

- **GENERAL TORQUE SETTINGS**
  - M4 BOLT = 8Nm
  - M5 BOLT = 12Nm
  - M6 BOLT = 15Nm
  - M8 BOLT = 20Nm
  - M10 BOLT = 40Nm
  - M10 NYLOC NUT = 40Nm

Issue 1 (NSY) 20/04/2015

**CONSUMER NOTICE**

The catalogue description and any exhibition of samples are only broad indications of the Products and R&G may make design changes which do not diminish their performance or visual appeal and supplying them in such state shall conform to the order. The Buyer acknowledges no representation or warranty (other than as to title) has been given or will apply to the Products other than those in R&G's order or confirmation and the Buyer confirms it has chosen the Products as being of merchantable quality and suitable for its particular purposes. Where R&G fits the Products or undertakes other services it shall exercise reasonable skill and care and rectify any fault free of charge unless the workmanship has been disturbed. The Buyer is responsible for ensuring that the warranty on the motorcycle is not affected by the fitting of the Products. On return of any defective Products R&G shall at its option either supply a replacement or refund the purchase money but shall not be liable if the Products have been modified or used or maintained otherwise than in accordance with R&G's or manufacturer's instructions and good engineering practice or if the defect arises from accident or neglect. Other than identified above and subject to R&G not limiting its liability for causing death and personal injury, it shall not be liable for indirect or consequential loss and otherwise its liability shall be limited to the amounts paid by the Buyer for the Products or the fitting or service concerned. These terms do not affect the Buyer's statutory rights.

**R&G RACING RETURNS POLICY (NON-FAULTY GOODS)**

Returns must be pre-authorized (if not pre-authorized the return will be rejected). Goods may only be returned direct to us if they were purchased direct from us (customer must prove if necessary). Otherwise to be returned to original vendor. Goods must be in re-sellable condition, in the opinion of R&G Racing. All returns are subject to a 25% restocking and handling fee (25% of the gross value exc. P&P – at the prevailing price at time of purchase). The customer must pay any and all carriage charges. No returns of discontinued products, unless within 14 days of purchase. This policy does not affect your statutory rights and does not refer to faulty goods.

R&G Racing

Unit 1, Shelley's Lane, East Worldham, Alton, Hampshire, GU34 3AQ

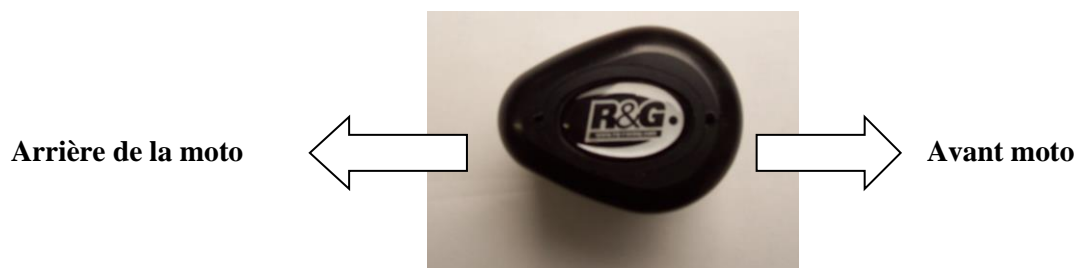
Tel: +44 (0)1420 89007 Fax: +44 (0)1420 87301 [www.rg-racing.com](http://www.rg-racing.com) Email: [info@rg-racing.com](mailto:info@rg-racing.com)



**INSTRUCTIONS POUR CP0385BL PROTECTIONS LATERALES  
BRAMMO EMPULSE R 2014-**



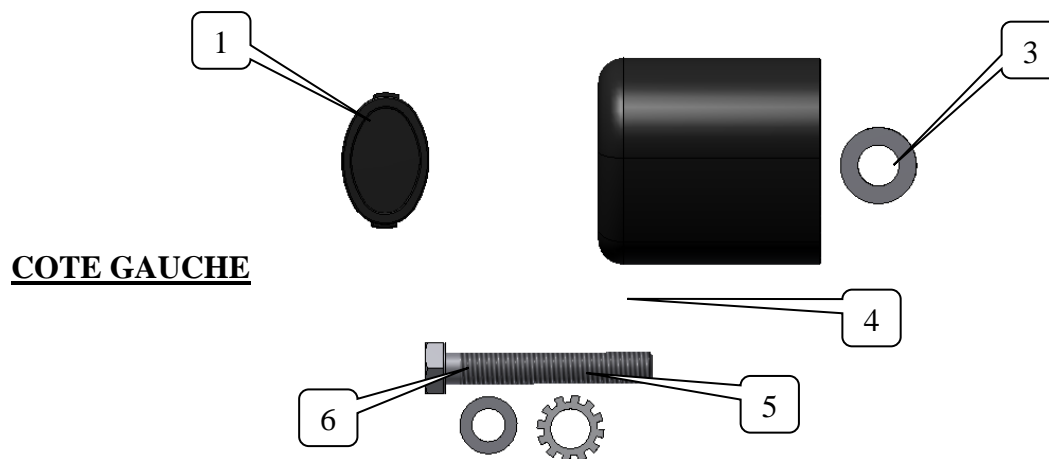
**PHOTO 'A'**



**PHOTO 'C'**

LA FAÇON DONT LE KIT EST EMBALLE NE CORRESPOND PAS FORCEMENT A LA FAÇON DE MONTER LES PIECES SUR LA MOTO.

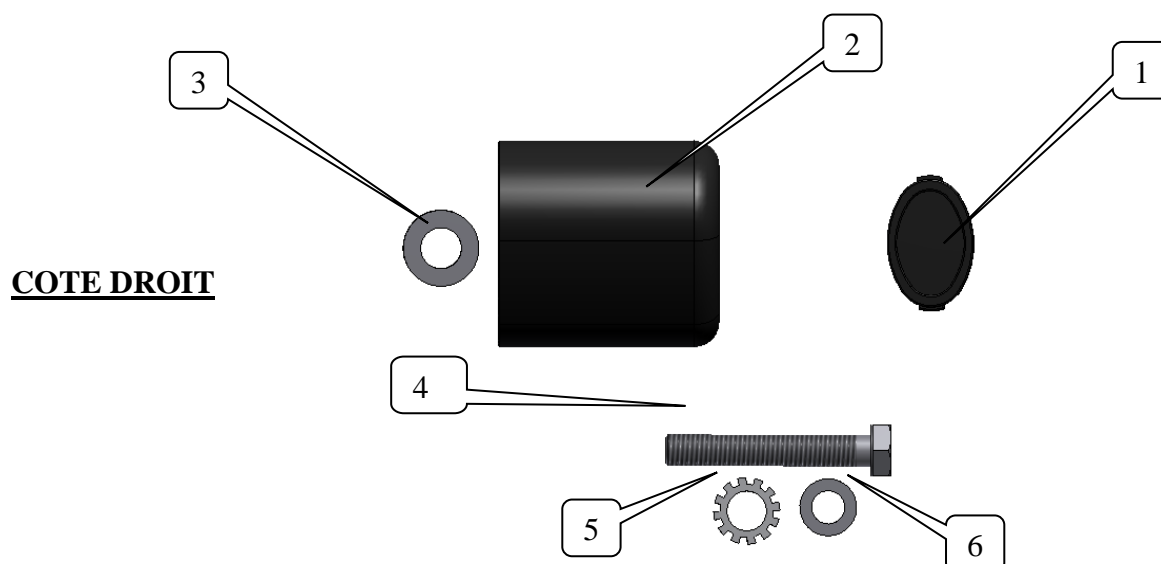
Notez que si les kits sont emballés avec des rondelles en caoutchouc servant à tenir les composants, *ces rondelles doivent être jetées!*



R&G Racing

Unit 1, Shelley's Lane, East Worldham, Alton, Hampshire, GU34 3AQ

Tel: +44 (0)1420 89007 Fax: +44 (0)1420 87301 [www.rg-racing.com](http://www.rg-racing.com) Email: [info@rg-racing.com](mailto:info@rg-racing.com)



### LEGENDE

ARTICLE 1 = BC0002 CAPUCHONS DE PROTECTION (x2).

ARTICLE 2 = B0061 avec CS0341 (10mm) (PROTECTION CRASH) (x2).

ARTICLE 3 = D0003 ENTRETOISE DISQUE 46.5mm DE LONG (ENTRETOISES) (x2).

ARTICLE 4 = M10x1.5x 65mm BOULON (BOULONS DE PROTECTION CRASH) (x1).

ARTICLE 5 = LW0001 (M12 RONDELLES ANTI VIBRATION) (x2).

ARTICLE 6 = M12 RONDELLES (x2).

### You will need the following tools to complete this job.

- Socket set to include 17mm socket and wrench.
- Torque wrench (up to 40Nm).

### INSTRUCTIONS DE MONTAGE

#### Coté gauche assis sur la moto

- Glisser une des rondelles 10mm (article 6) sur un des boulons M10 (article 4) de façon à ce que la rondelle se place contre la tête du boulon.
- Glisser une des rondelles de blocage (article 5) sur le boulon de façon à ce qu'elle se place contre la rondelle tout juste insérée.
- Glisser ensuite le boulon et la rondelle dans la protection crash (article 2) afin que le tête du boulon se place dans le contre alésage de la protection crash.
- Glisser une des entretoises (article 3) sur l'extrémité du boulon de façon à ce qu'elle se place contre la protection.
- Placer cet ensemble en position sur le support de cadre et serrer le boulon jusqu'à ce que vous sentiez une compression de l'intérieur de la protection à l'aide d'une clé de 17mm. **LA PROTECTION DOIT ETRE POSITIONNEE COMME EN "C" AVEC LE COTE ARRONDI LE PLUS GROS EN DIRECTION DE L'AVANT DE LA MOTO.** Tourner un peu plus afin d'accentuer légèrement la compression. Faire un quart de tour. Pas plus de 40 Nm de couple - Ne pas trop serrer, au risque d'abîmer les composants.

R&G Racing

Unit 1, Shelley's Lane, East Worldham, Alton, Hampshire, GU34 3AQ

Tel: +44 (0)1420 89007 Fax: +44 (0)1420 87301 [www.rg-racing.com](http://www.rg-racing.com) Email: [info@rg-racing.com](mailto:info@rg-racing.com)



- Placer le sticker R&G dans le creux du capuchon de la protection (article 1).
- Placer le capuchon de la protection crash (article 1) dans la protection crash.

#### **Coté droit assis sur la moto**

- Glisser la rondelle 10mm restante (article 6) sur le boulon M10 (article 4) de façon à ce que la rondelle se place contre la tête du boulon.
- Glisser la rondelle de blocage restante (article 5) sur le boulon de façon à ce qu'elle se place contre la rondelle tout juste insérée.
- Glisser ensuite le boulon et la rondelle dans la protection crash restante (article 2) de façon à ce que la tête du boulon se place dans le contre alésage de la protection crash.
- Glisser ensuite le boulon et la rondelle dans la protection crash (article 2) de façon à ce que la tête du boulon se place dans le contre alésage de la protection crash.
- Glisser ensuite l'entretoise disque (article 3) sur l'extrémité du boulon de façon à ce qu'elle se place contre la protection crash.
- Placer cet ensemble en position sur le support de cadre et serrer les écrous de la protection jusqu'à ce que vous sentiez une compression de l'intérieur de la protection avec une clé de 17mm. **LA PROTECTION DOIT ETRE POSITIONNEE COMME EN "C" AVEC LE COTE ARRONDI LE PLUS GROS EN DIRECTION DE L'AVANT DE LA MOTO.** Tourner un peu plus afin d'accentuer légèrement la compression. Faire un quart de tour. Pas plus de 40 Nm de couple - Ne pas trop serrer, au risque d'abîmer les composants.
- Placer le sticker R&G dans le creux du capuchon de la protection (article 1).
- Placer le capuchon de la protection crash (article 1) dans la protection crash.

**Ces instructions sont disponibles au téléchargement sur [www.rg-racing.com](http://www.rg-racing.com)**

#### **COUPLES DE SERRAGE RECOMMANDÉS**

- M4 BOULON = 8Nm
- M5 BOULON = 12Nm
- M6 BOULON = 15Nm
- M8 BOULON = 20Nm
- M10 BOULON = 40Nm
- M10 ECROU = 40Nm

Issue 1 (NSY) 20/04/2015

#### **CONSUMER NOTICE**

The catalogue description and any exhibition of samples are only broad indications of the Products and R&G may make design changes which do not diminish their performance or visual appeal and supplying them in such state shall conform to the order. The Buyer acknowledges no representation or warranty (other than as to title) has been given or will apply to the Products other than those in R&G's order or confirmation and the Buyer confirms it has chosen the Products as being of merchantable quality and suitable for its particular purposes. Where R&G fits the Products or undertakes other services it shall exercise reasonable skill and care and rectify any fault free of charge unless the workmanship has been disturbed. The Buyer is responsible for ensuring that the warranty on the motorcycle is not affected by the fitting of the Products. On return of any defective Products R&G shall at its option either supply a replacement or refund the purchase money but shall not be liable if the Products have been modified or used or maintained otherwise than in accordance with R&G's or manufacturer's instructions and good engineering practice or if the defect arises from accident or neglect. Other than identified above and subject to R&G not limiting its liability for causing death and personal injury, it shall not be liable for indirect or consequential loss and otherwise its liability shall be limited to the amounts paid by the Buyer for the Products or the fitting or service concerned. These terms do not affect the Buyer's statutory rights.

R&G Racing

Unit 1, Shelley's Lane, East Worldham, Alton, Hampshire, GU34 3AQ

Tel: +44 (0)1420 89007 Fax: +44 (0)1420 87301 [www.rg-racing.com](http://www.rg-racing.com) Email: [info@rg-racing.com](mailto:info@rg-racing.com)



**R&G RACING RETURNS POLICY (NON-FAULTY GOODS)**

Returns must be pre-authorized (if not pre-authorized the return will be rejected). Goods may only be returned direct to us if they were purchased direct from us (customer must prove if necessary). Otherwise to be returned to original vendor. Goods must be in re-sellable condition, in the opinion of R&G Racing. All returns are subject to a 25% restocking and handling fee (25% of the gross value exc. P&P – at the prevailing price at time of purchase). The customer must pay any and all carriage charges. No returns of discontinued products, unless within 14 days of purchase. This policy does not affect your statutory rights and does not refer to faulty goods.