



**FITTING INSTRUCTIONS FOR BLP0093 FOOTREST BLANKING PLATES
FOR BMW S1000RR '19-**



**THIS KIT CONTAINS THE ITEMS PICTURED AND LABELLED BELOW.
DO NOT PROCEED UNTIL YOU ARE SURE ALL PARTS ARE PRESENT.**

PLEASE NOTE THAT THE WAY THE KIT IS PACKED DOES NOT NECESSARILY REPRESENT THE WAY OF MOUNTING TO THE BIKE

PLEASE NOTE THAT IN CASES WHERE KITS ARE PACKED WITH RUBBER WASHERS HOLDING THE COMPONENTS ONTO THE BOLT – *THE RUBBER WASHERS SHOULD BE THROWN AWAY!*

THE PARTS SHOWN MAY BE REPRESENTATIVE ONLY (FOR CLARITY OF INSTRUCTIONS ONLY)

DIGITAL COPIES OF THESE INSTRUCTIONS ARE AVAILABLE TO DOWNLOAD FROM WWW.RG-RACING.COM

GENERAL TORQUE SETTINGS

M4 BOLT = 8Nm
M5 BOLT = 12Nm
M6 BOLT = 15Nm
M8 BOLT = 20Nm
M10 BOLT = 40Nm

TOOLS REQUIRED

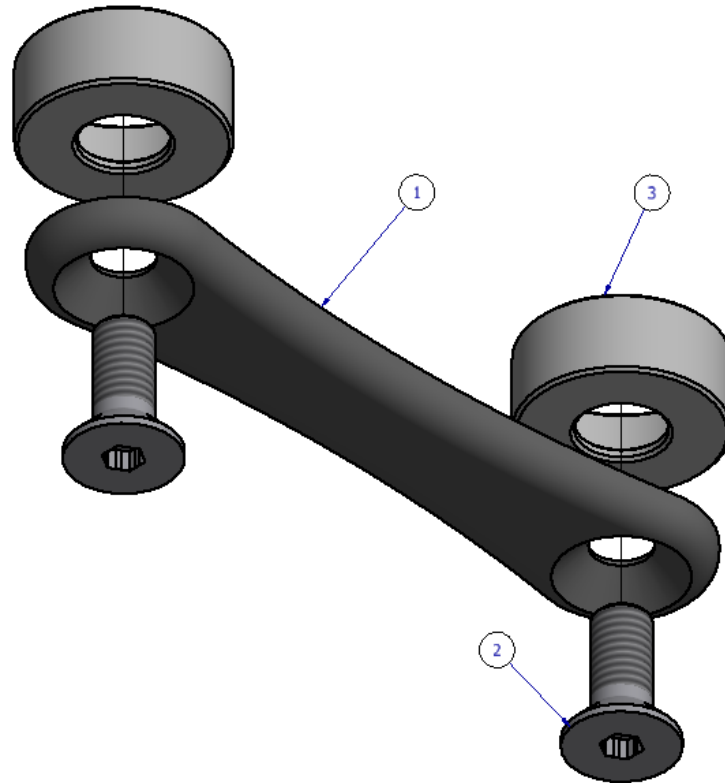
- T45 Torx Key/Socket
- 5mm A/F Allen Key/Socket

R&G

Unit 1, Shelley's Lane, East Worldham, Alton, Hampshire, GU34 3AQ
Tel: +44 (0)1420 89007 Fax: +44 (0)1420 87301 www.rg-racing.com Email: info@rg-racing.com

**THIS KIT CONTAINS:**

- Item 1 = 2x ALUMINIUM BLANKING PLATES (BLP0093)
- Item 2 = 4x M8 x 20mm COUNTERSINK BOLTS
- Item 3 = 4x BLANKING PLATE SPACERS (S0379)

**BLANKING PLATE EXPLODED ASSEMBLY****FITTING INSTRUCTIONS**

- Remove the original pillion footrests if fitted by removing the pair of M8 bolts on each side, using a T45 Torx key/socket.
- Referring to the diagram above, slide a countersink bolt (item 2) through each of the holes on a blanking plate (item 1) then slide a spacer (item 3) over the exposed end of each bolt.
- Offer the assembly up to the vacant footrest mounting holes and secure both bolts using a 5mm Allen key/socket.
- Repeat previous steps for the opposite side.

R&G

Unit 1, Shelley's Lane, East Worldham, Alton, Hampshire, GU34 3AQ

Tel: +44 (0)1420 89007 Fax: +44 (0)1420 87301 www.rg-racing.com Email: info@rg-racing.com



ISSUE 1 - 16/07/2019 (FB)

CONSUMER NOTICE

The catalogue description and any exhibition of samples are only broad indications of the Products and R&G may make design changes which do not diminish their performance or visual appeal and supplying them in such state shall conform to the order. The Buyer acknowledges no representation or warranty (other than as to title) has been given or will apply to the Products other than those in R&G's order or confirmation and the Buyer confirms it has chosen the Products as being of merchantable quality and suitable for its particular purposes. Where R&G fits the Products or undertakes other services it shall exercise reasonable skill and care and rectify any fault free of charge unless the workmanship has been disturbed. The Buyer is responsible for ensuring that the warranty on the motorcycle is not affected by the fitting of the Products. On return of any defective Products R&G shall at its option either supply a replacement or refund the purchase money but shall not be liable if the Products have been modified or used or maintained otherwise than in accordance with R&G's or manufacturer's instructions and good engineering practice or if the defect arises from accident or neglect. Other than identified above and subject to R&G not limiting its liability for causing death and personal injury, it shall not be liable for indirect or consequential loss and otherwise its liability shall be limited to the amounts paid by the Buyer for the Products or the fitting or service concerned. These terms do not affect the Buyer's statutory rights.

R&G RACING RETURNS POLICY (NON-FAULTY GOODS)

Returns must be pre-authorized (if not pre-authorized the return will be rejected). Goods may only be returned direct to us if they were purchased direct from us (customer must prove if necessary). Otherwise to be returned to original vendor. Goods must be in re-sellable condition, in the opinion of R&G Racing. All returns are subject to a 25% restocking and handling fee (25% of the gross value exc. P&P - at the prevailing price at time of purchase). The customer must pay any and all carriage charges. No returns of discontinued products, unless within 14 days of purchase. This policy does not affect your statutory rights and does not refer to faulty goods.

R&G

Unit 1, Shelley's Lane, East Worldham, Alton, Hampshire, GU34 3AQ

Tel: +44 (0)1420 89007 Fax: +44 (0)1420 87301 www.rg-racing.com Email: info@rg-racing.com



NOTICE DE MONTAGE POUR BLP0093
PLAQUES D'OBTURATION DU REPOSE PIED ARRIERE
POUR BMW S1000RR '19-



LE KIT CONTIENT LES ARTICLES EXPOSÉS CI-DESSOUS, VÉRIFIER QUE TOUTES LES PIÈCES SOIENT PRÉSENTES AVANT DE PROCÉDER AU MONTAGE.

LA FAÇON DONT LE KIT EST EMBALLE NE CORRESPOND PAS FORCEMENT A LA FAÇON DE MONTER LES PIÈCES SUR LA MOTO

NOTEZ QUE SI LES KITS SONT EMBALLES AVEC DES RONDELLES EN CAOUTCHOUC SERVANT A TENIR LES COMPOSANTS, *CES RONDELLES DOIVENT ETRE JETEES!*

LES PARTIES PRÉSENTÉES PEUVENT ETRE UNIQUEMENT REPRESENTATIVES (POUR LA CLARTE DES INSTRUCTIONS UNIQUEMENT)

NOTICE DISPONIBLE AU TELECHARGEMENT SUR WWW.RG-RACING.COM

VALEURS DE SERRAGE RECOMMANDÉES

M4 BOULON = 8Nm
M5 BOULON = 12Nm
M6 BOULON = 15Nm
M8 BOULON = 20Nm
M10 BOULON = 40Nm

OUTILS REQUIS

- Clé Torx T45
- Clé Allen 5mm

R&G

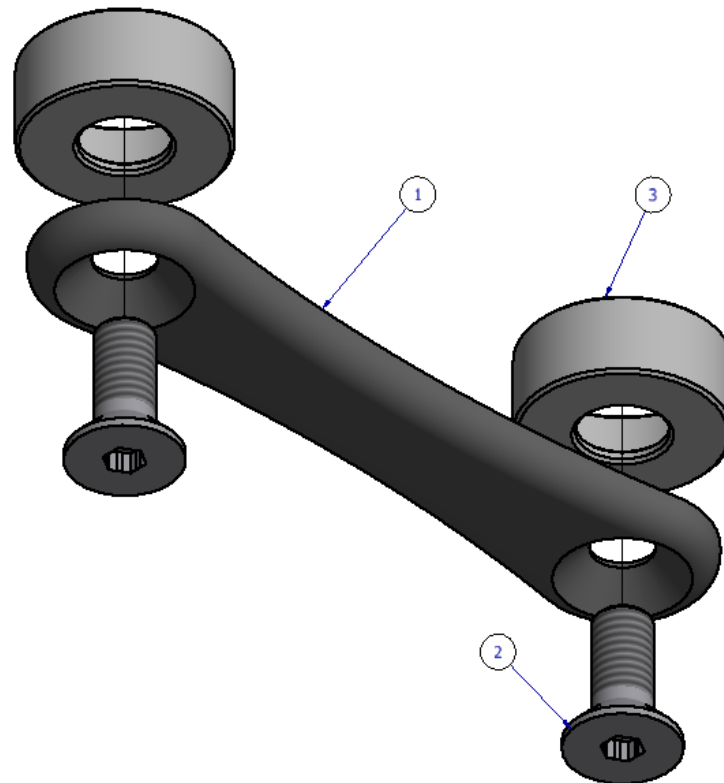
Unit 1, Shelley's Lane, East Worldham, Alton, Hampshire, GU34 3AQ
Tel: +44 (0)1420 89007 Fax: +44 (0)1420 87301 www.rg-racing.com Email: info@rg-racing.com

**LE KIT CONTIENT:**

Article 1 = 2x PLAQUES D'OBTURATION (BLP0093)

Article 2 = 4x M8 x 20mm BOULONS

Article 3 = 4x ENTRETOISES DE PLAQUE D'OBTURATION (S0379)

**SCHÉMA DE MONTAGE****NOTICE DE MONTAGE**

- Enlevez les repose-pieds passager d'origine s'ils sont installés, en retirant la paire de boulons M8 de chaque côté, à l'aide d'une clé / douille T45 Torx.
- En vous référant au schéma ci-dessus, faites glisser un boulon (article 2) à travers chacun des trous de la plaque d'obturation (article 1), puis faites glisser une entretoise (article 3) sur l'extrémité exposée de chaque boulon.
- Placez l'ensemble dans les trous de fixation vacants du repose-pieds et fixez les deux boulons à l'aide d'une clé Allen / douille 5 mm.
- Répétez les étapes précédentes pour le côté opposé.

R&G

Unit 1, Shelley's Lane, East Worldham, Alton, Hampshire, GU34 3AQ

Tel: +44 (0)1420 89007 Fax: +44 (0)1420 87301 www.rg-racing.com Email: info@rg-racing.com



ISSUE 1 - 16/07/2019 (FB)

CONSUMER NOTICE

The catalogue description and any exhibition of samples are only broad indications of the Products and R&G may make design changes which do not diminish their performance or visual appeal and supplying them in such state shall conform to the order. The Buyer acknowledges no representation or warranty (other than as to title) has been given or will apply to the Products other than those in R&G's order or confirmation and the Buyer confirms it has chosen the Products as being of merchantable quality and suitable for its particular purposes. Where R&G fits the Products or undertakes other services it shall exercise reasonable skill and care and rectify any fault free of charge unless the workmanship has been disturbed. The Buyer is responsible for ensuring that the warranty on the motorcycle is not affected by the fitting of the Products. On return of any defective Products R&G shall at its option either supply a replacement or refund the purchase money but shall not be liable if the Products have been modified or used or maintained otherwise than in accordance with R&G's or manufacturer's instructions and good engineering practice or if the defect arises from accident or neglect. Other than identified above and subject to R&G not limiting its liability for causing death and personal injury, it shall not be liable for indirect or consequential loss and otherwise its liability shall be limited to the amounts paid by the Buyer for the Products or the fitting or service concerned. These terms do not affect the Buyer's statutory rights.

R&G RACING RETURNS POLICY (NON-FAULTY GOODS)

Returns must be pre-authorized (if not pre-authorized the return will be rejected). Goods may only be returned direct to us if they were purchased direct from us (customer must prove if necessary). Otherwise to be returned to original vendor. Goods must be in re-sellable condition, in the opinion of R&G Racing. All returns are subject to a 25% restocking and handling fee (25% of the gross value exc. P&P - at the prevailing price at time of purchase). The customer must pay any and all carriage charges. No returns of discontinued products, unless within 14 days of purchase. This policy does not affect your statutory rights and does not refer to faulty goods.

R&G

Unit 1, Shelley's Lane, East Worldham, Alton, Hampshire, GU34 3AQ

Tel: +44 (0)1420 89007 Fax: +44 (0)1420 87301 www.rg-racing.com Email: info@rg-racing.com



**MONTAGEANLEITUNG FÜR BLP0093 ABDECKPLATTE
FÜR DIE HINTERE FUSSRASTE - BMW S1000RR '19-**



ALLE TEILE SIND UNTEN ABGEBILDET UND GEKENNZEICHNET. BEVOR SIE MIT DER MONTAGE BEGINNEN, ÜBERPRÜFEN SIE, DASS ALLE TEILE VORHANDEN SIND.

HINWEIS: DIE VERPACKUNG DER TEILE STELLT NICHT DIE REIHENFOLGE DER MONTAGE DAR.

HINWEIS FÜR KITS MIT PLASTIKUNTERLEGSCHLEIBEN AN DEN SCHRAUBEN – *DIESE PLASTIKUNTERLEGSCHLEIBEN WERDEN NICHT FÜR DEN EINBAU BENÖTIGT!*

DIE ABGEBILDETEN TEILE DIENEN LEDIGLICH ZUR ERKLÄRUNG

EINE DIGITALE VERSION DIESER MONTAGEANLEITUNG KANN AUF FOLGENDER SEITE HERUNTERGELADEN WERDEN: [WWW.RG-RACING.COM](http://www.rg-racing.com)

ALLGEM. ANZUGSDREHMOMENT

M4 SCHRAUBE = 8Nm
M5 SCHRAUBE = 12Nm
M6 SCHRAUBE = 15Nm
M8 SCHRAUBE = 20Nm

M10 SCHRAUBE = 40Nm
SIE BENÖTIGEN FOLGENDES

- T45 Torx Schlüssel
- 5mm Inbusschlüssel

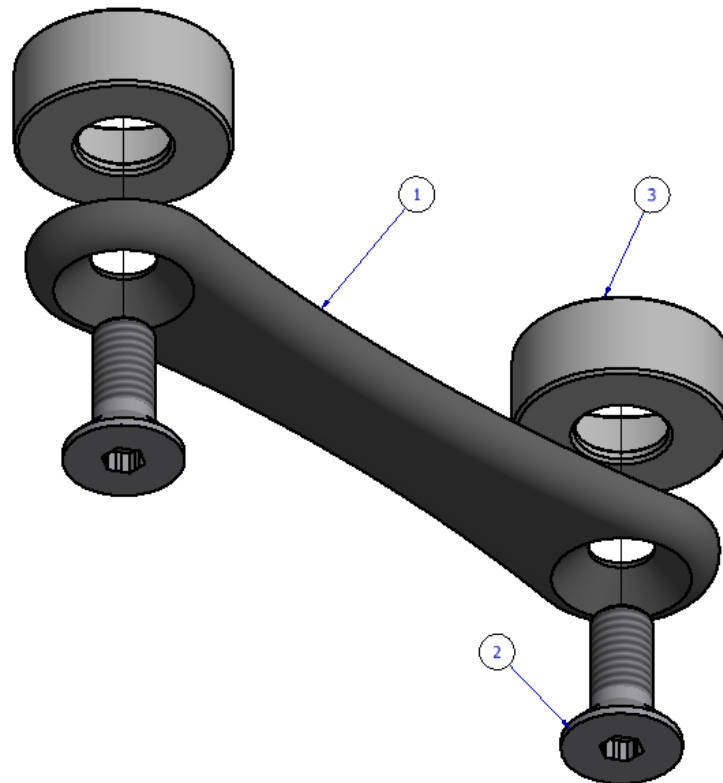
R&G

**INHALT DES KITS:**

Artikel 1 = 2x ALUMINIUM ABDECKPLATTE (BLP0093)

Artikel 2 = 4x M8 x 20mm SENKSCHRAUBEN

Artikel 3 = 4x DISTANZHALTER FÜR DIE ABDECKPLATTE (S0379)

**EXPLOSIONSZEICHNUNG – ABECKPLATTE****MONTAGEANLEITUNG**

- Entfernen Sie die original Soziesfußrasten (falls montiert), indem Sie die zwei M8 Schrauben an jeder Seite mit einem T45 Torx-Schlüssel entfernen.
- Wie oben in der Zeichnung abgebildet, die Senkschrauben (Artikel 2) in die Öffnungen an der Abdeckplatte (Artikel 1) einsetzen und je einen Distanzhalter (Artikel 3) über das hervorstehende Ende jeder Schraube schieben.
- Die Einheit an die freien Montageöffnungen ansetzen und beide Schrauben mit einem 5mm Inbusschlüssel befestigen.
- Diese Schritte an der gegenüberliegenden Seite wiederholen.

AUSGABE 1 - 16/07/2019 (FB)

R&G

Unit 1, Shelley's Lane, East Worldham, Alton, Hampshire, GU34 3AQ

Tel: +44 (0)1420 89007 Fax: +44 (0)1420 87301 www.rg-racing.com Email: info@rg-racing.com

**CONSUMER NOTICE**

The catalogue description and any exhibition of samples are only broad indications of the Products and R&G may make design changes which do not diminish their performance or visual appeal and supplying them in such state shall conform to the order. The Buyer acknowledges no representation or warranty (other than as to title) has been given or will apply to the Products other than those in R&G's order or confirmation and the Buyer confirms it has chosen the Products as being of merchantable quality and suitable for its particular purposes. Where R&G fits the Products or undertakes other services it shall exercise reasonable skill and care and rectify any fault free of charge unless the workmanship has been disturbed. The Buyer is responsible for ensuring that the warranty on the motorcycle is not affected by the fitting of the Products. On return of any defective Products R&G shall at its option either supply a replacement or refund the purchase money but shall not be liable if the Products have been modified or used or maintained otherwise than in accordance with R&G's or manufacturer's instructions and good engineering practice or if the defect arises from accident or neglect. Other than identified above and subject to R&G not limiting its liability for causing death and personal injury, it shall not be liable for indirect or consequential loss and otherwise its liability shall be limited to the amounts paid by the Buyer for the Products or the fitting or service concerned. These terms do not affect the Buyer's statutory rights.

R&G RACING RETURNS POLICY (NON-FAULTY GOODS)

Returns must be pre-authorized (if not pre-authorized the return will be rejected). Goods may only be returned direct to us if they were purchased direct from us (customer must prove if necessary). Otherwise to be returned to original vendor. Goods must be in re-sellable condition, in the opinion of R&G Racing. All returns are subject to a 25% restocking and handling fee (25% of the gross value exc. P&P - at the prevailing price at time of purchase). The customer must pay any and all carriage charges. No returns of discontinued products, unless within 14 days of purchase. This policy does not affect your statutory rights and does not refer to faulty goods.

R&G

Unit 1, Shelley's Lane, East Worldham, Alton, Hampshire, GU34 3AQ

Tel: +44 (0)1420 89007 Fax: +44 (0)1420 87301 www.rg-racing.com Email: info@rg-racing.com