



HLG0004SS

Fitting Instructions for HLG0004SS Headlight Guard
KTM 1050/1190 ADVENTURE 2015-

Page | 1

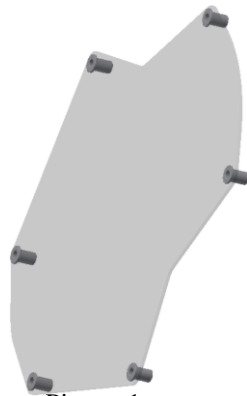


In This Kit There Should Be

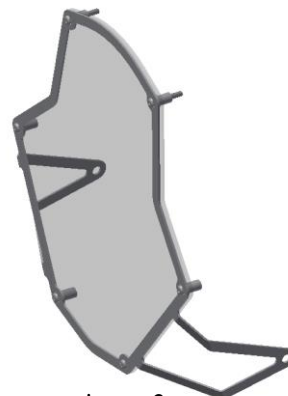
- 1x Headlight Guard Frame (SMW0052)
- 1x Polycarbonate Screen (PS0003)
- 4x M4 x 10mm Long Button Head Bolts
- 2x M4 x 25mm Long Button Head Bolts
- 6x M4 Rubber Well Nuts
- 2x M5 x 30mm Long Button Head Bolts
- 2x mounting spacers (S0909)
- 2x spacers (S0927)
- 2x M4 nuts
- 2x rubber grommets (RB50-20-00FG)

TOOLS REQUIRED

- Socket set to include 2.5mm A/F socket & wrench.
 - T30 Torx bit.
 - 2x 7mm spanners.
- Small amount of super glue.



Picture 1

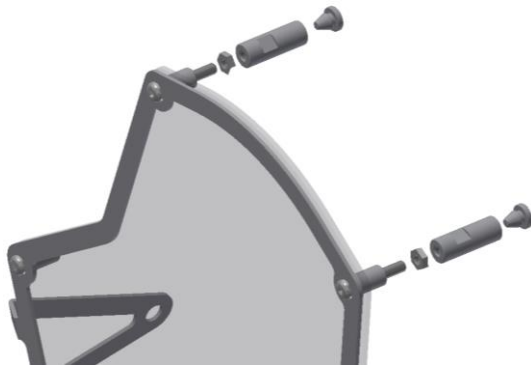


picture 2

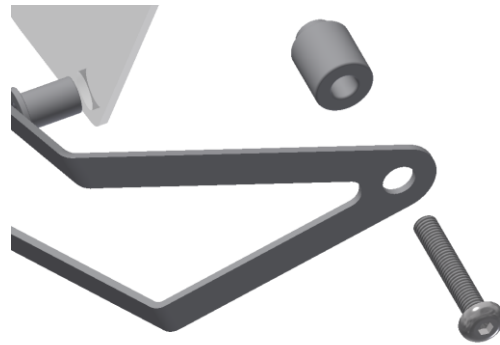


HLG0004SS

Page | 2



Picture 3



picture 4

FITTING INSTRUCTIONS

- Locate the six M4 Rubber Well Nuts through the six holes in the polycarbonate screen from the front as shown in picture 1 and below.
- Locate the headlight guard frame onto the screen as shown in picture 2. The rubber flange on the well nuts should now sit between the polycarbonate screen and metal frame, as shown below left.



- Fit the four M4 x 10mm button head bolts through the four lower holes in the metal frame and tighten into the rubber well nuts, as shown above right. *Ensure they are all tightened sufficiently that the rubber expands and holds the screen securely in place (the thread of the bolt should just start to protrude).*
- Fit the two M4 x 25mm button head bolts through the two upper holes in the metal frame and tighten into the rubber well nuts, as shown in picture 3. *Ensure they are all tightened sufficiently that the rubber expands and holds the screen securely in place (the thread of the bolt should protrude approximately 10mm).*
- Fit the two nuts over the exposed thread of the two top bolts as shown in picture 3.
- Glue the two rubber grommets into the two threaded spacers (they fit into the non-threaded end).
- Fit the two threaded spacers with the grommets over the exposed end of the two top bolts as shown in picture 3.
- The assembly is now ready for mounting to the motorcycle.
- On the bike, remove the two Torx bolts from the front side panels as arrowed in the top picture.
- Place the two stepped spacers into the now vacant holes (the smaller spigot should fit snugly into the panel hole).

R&G Racing

Unit 1, Shelley's Lane, East Worldham, Alton, Hampshire, GU34 3AQ

Tel: +44 (0)1420 89007 Fax: +44 (0)1420 87301 www.rg-racing.com Email: info@rg-racing.com



HLG0004SS

- Offer the assembly into position and secure using the two M5 bolts, adjust the two top spacers so the rubber grommets just contact the headlight to prevent movement of the assembly and lock into position using the two lock-nuts.
- Check that the headlight guard is correctly mounted and that there is clearance between the screen and headlight, before fully tightening all the bolts.

Digital copies of these instructions are available to download from www.rg-racing.com

GENERAL TORQUE SETTINGS

M4 BOLT = 8Nm
M5 BOLT = 12Nm
M6 BOLT = 15Nm
M8 BOLT = 20Nm
M10 BOLT = 40Nm

CONSUMER NOTICE

The catalogue description and any exhibition of samples are only broad indications of the Products and R&G may make design changes which do not diminish their performance or visual appeal and supplying them in such state shall conform to the order. The Buyer acknowledges no representation or warranty (other than as to title) has been given or will apply to the Products other than those in R&G's order or confirmation and the Buyer confirms it has chosen the Products as being of merchantable quality and suitable for its particular purposes. Where R&G fits the Products or undertakes other services it shall exercise reasonable skill and care and rectify any fault free of charge unless the workmanship has been disturbed. The Buyer is responsible for ensuring that the warranty on the motorcycle is not affected by the fitting of the Products. On return of any defective Products R&G shall at its option either supply a replacement or refund the purchase money but shall not be liable if the Products have been modified or used or maintained otherwise than in accordance with R&G's or manufacturer's instructions and good engineering practice or if the defect arises from accident or neglect.

Other than identified above and subject to R&G not limiting its liability for causing death and personal injury, it shall not be liable for indirect or consequential loss and otherwise its liability shall be limited to the amounts paid by the Buyer for the Products or the fitting or service concerned. These terms do not affect the Buyer's statutory rights.

R&G RACING RETURNS POLICY (NON-FAULTY GOODS)

Returns must be pre-authorized (if not pre-authorized the return will be rejected). Goods may only be returned direct to us if they were purchased direct from us (customer must prove if necessary). Otherwise to be returned to original vendor. Goods must be in re-sellable condition, in the opinion of R&G Racing. All returns are subject to a 25% restocking and handling fee (25% of the gross value exc. P&P – at the prevailing price at time of purchase). The customer must pay any and all carriage charges. No returns of discontinued products, unless within 14 days of purchase. This policy does not affect your statutory rights and does not refer to faulty goods.



HLG0004SS

NOTICE DE MONTAGE HLG0004SS Grille de protections feux
KTM 1050/1190 ADVENTURE 2015-

Page | 4



Le kit doit contenir :

- 1x Cadre de protection feux (SMW0052)**
- 1x Ecran Polycarbonate (PS0003)**
- 4x M4 x 10mm Boulons**
- 2x M4 x 25mm Boulons**
- 6x M4 Ecrous caoutchouc**
- 2x M5 x 30mm Boulons**
- 2x Entretoises (S0909)**
- 2x Entretoises (S0927)**
- 2x M4 Ecrous**
- 2x Rondelles de caoutchouc (RB50-20-00FG)**

OUTILS REQUIS

- Jeu de clés à douille 2.5mmet.
 - Clé T30.
 - Pinces 2x 7mm.
- Un peu de super glue.

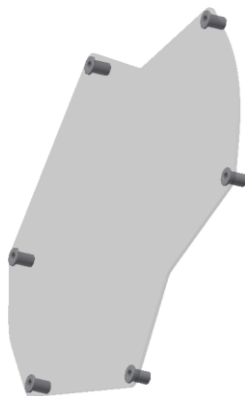


Photo 1

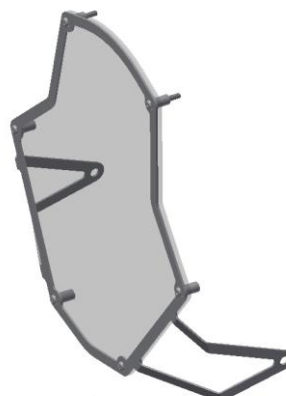


photo 2



HLG0004SS

Page | 5

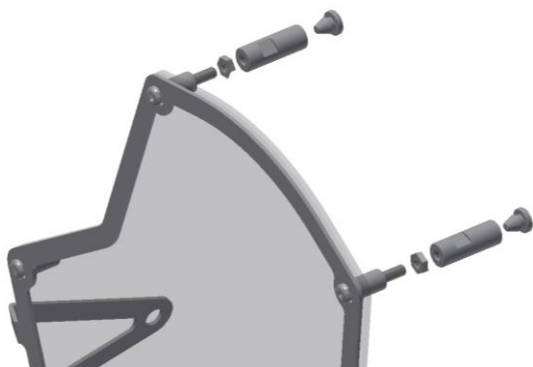


Photo 3

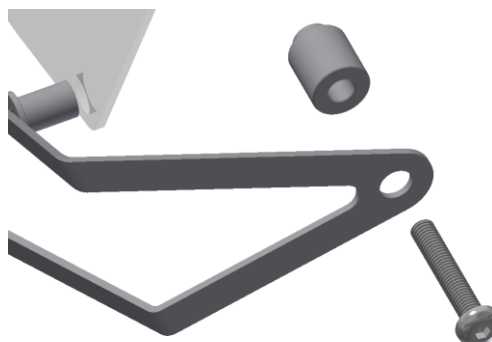
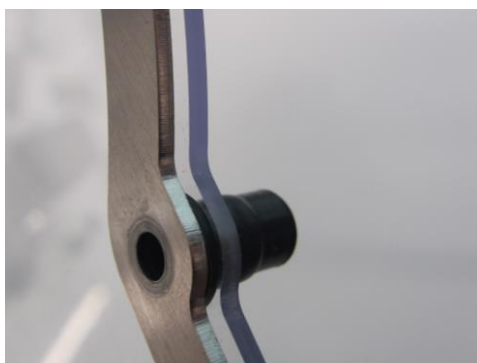


photo 4

NOTICE DE MONTAGE

- Placer les 6 écrous M4 à travers les 6 trous dans l'écran de polycarbonate depuis l'avant, voir photo 1 et dessous.
- Placer le cadre de protection feu sur l'écran, voir photo 2. La bride en caoutchouc sur les écrous doit se placer entre l'écran polycarbonate et le cadre métal, comme ci-dessous à gauche.



- Insérer les 4 boulons M4 x 10mm dans les 4 trous inférieurs dans le cadre métal et serrer les écrous, voir au dessus à droite. *Vérifier qu'ils soient tous suffisamment serrés de façon à ce que le caoutchouc se dilate et maintienne l'écran en toute sécurité (le filetage du boulon devrait commencer à dépasser).*
- Insérer les 2 boulons M4 x 25mm dans les 2 trous supérieurs du cadre métal et serrer les écrous, voir photo 3. *Vérifier qu'ils soient tous suffisamment serrés de façon à ce que le caoutchouc se dilate et maintienne l'écran en toute sécurité (le filetage du boulon doit dépasser de 10mm).*
- Insérer les 2 écrous sur le filetage des 2 boulons, voir photo 3.
- Coller les 2 rondelles en caoutchouc dans les 2 entretoises filetées (Elles se placent dans l'extrémité non filetée).
- Insérer les 2 entretoises avec rondelles sur l'extrémité des 2 boulons supérieurs, voir photo 3.
- L'ensemble est maintenant prêt à être monté sur la moto.
- Sur la moto, enlever les 2 boulons Torx des panneaux avant, voir photo du dessus.

R&G Racing

Unit 1, Shelley's Lane, East Worldham, Alton, Hampshire, GU34 3AQ

Tel: +44 (0)1420 89007 Fax: +44 (0)1420 87301 www.rg-racing.com Email: info@rg-racing.com



HLG0004SS

- Placer les 2 entretoises crantées dans les trous qui sont maintenant libres (the le plus petit ergot doit être bien ajusté dans le trou du panneau).
- Monter l'ensemble en position et fixer à l'aide des 2 boulons M5, ajuster les 2 entretoises supérieures de façon à ce que les rondelles de caoutchouc entrent en contact avec le phare pour éviter que l'ensemble bouge, puis bloquer la position en utilisant les 2 écrous de blocage.
- Vérifier que la protection feux soit correctement montée et qu'il y ait un espace entre l'écran et le feu, avant de serrer complètement tous les boulons.

Page | 6

ISSUE 1 09/03/2016 (NSY)

Notice de montage disponible en téléchargement sur www.rg-racing.com

COUPLES DE SERRAGE RECOMMANDÉS

M4 BOULON = 8Nm
M5 BOULON = 12Nm
M6 BOULON = 15Nm
M8 BOULON = 20Nm
M10 BOULON = 40Nm

CONSUMER NOTICE

The catalogue description and any exhibition of samples are only broad indications of the Products and R&G may make design changes which do not diminish their performance or visual appeal and supplying them in such state shall conform to the order. The Buyer acknowledges no representation or warranty (other than as to title) has been given or will apply to the Products other than those in R&G's order or confirmation and the Buyer confirms it has chosen the Products as being of merchantable quality and suitable for its particular purposes. Where R&G fits the Products or undertakes other services it shall exercise reasonable skill and care and rectify any fault free of charge unless the workmanship has been disturbed. The Buyer is responsible for ensuring that the warranty on the motorcycle is not affected by the fitting of the Products. On return of any defective Products R&G shall at its option either supply a replacement or refund the purchase money but shall not be liable if the Products have been modified or used or maintained otherwise than in accordance with R&G's or manufacturer's instructions and good engineering practice or if the defect arises from accident or neglect.

Other than identified above and subject to R&G not limiting its liability for causing death and personal injury, it shall not be liable for indirect or consequential loss and otherwise its liability shall be limited to the amounts paid by the Buyer for the Products or the fitting or service concerned. These terms do not affect the Buyer's statutory rights.

R&G RACING RETURNS POLICY (NON-FAULTY GOODS)

Returns must be pre-authorized (if not pre-authorized the return will be rejected). Goods may only be returned direct to us if they were purchased direct from us (customer must prove if necessary). Otherwise to be returned to original vendor. Goods must be in re-sellable condition, in the opinion of R&G Racing. All returns are subject to a 25% restocking and handling fee (25% of the gross value exc. P&P – at the prevailing price at time of purchase). The customer must pay any and all carriage charges. No returns of discontinued products, unless within 14 days of purchase. This policy does not affect your statutory rights and does not refer to faulty goods.

R&G Racing

Unit 1, Shelley's Lane, East Worldham, Alton, Hampshire, GU34 3AQ

Tel: +44 (0)1420 89007 Fax: +44 (0)1420 87301 www.rg-racing.com Email: info@rg-racing.com