



FITTING INSTRUCTIONS FOR CP0379BL AERO CRASH PROTECTORS
YAMAHA YZF-R25/R3 2014-



PICTURE 'A'



PICTURE 'B'



PICTURE 'C'

THIS KIT CONTAINS THE ITEMS PICTURED AND LABELLED BELOW.
DO NOT PROCEED UNTIL YOU ARE SURE ALL PARTS ARE PRESENT.

Please note that the way the kit is packed does not necessarily represent the way of mounting to the bike

Please note that in cases where kits are packed with rubber washers holding the components onto the bolt – *the rubber washers should be thrown away!*

THE PARTS SHOWN MAY BE REPRESENTATIVE ONLY (FOR CLARITY OF INSTRUCTIONS ONLY)

Digital copies of these instructions are available to download from www.rg-racing.com

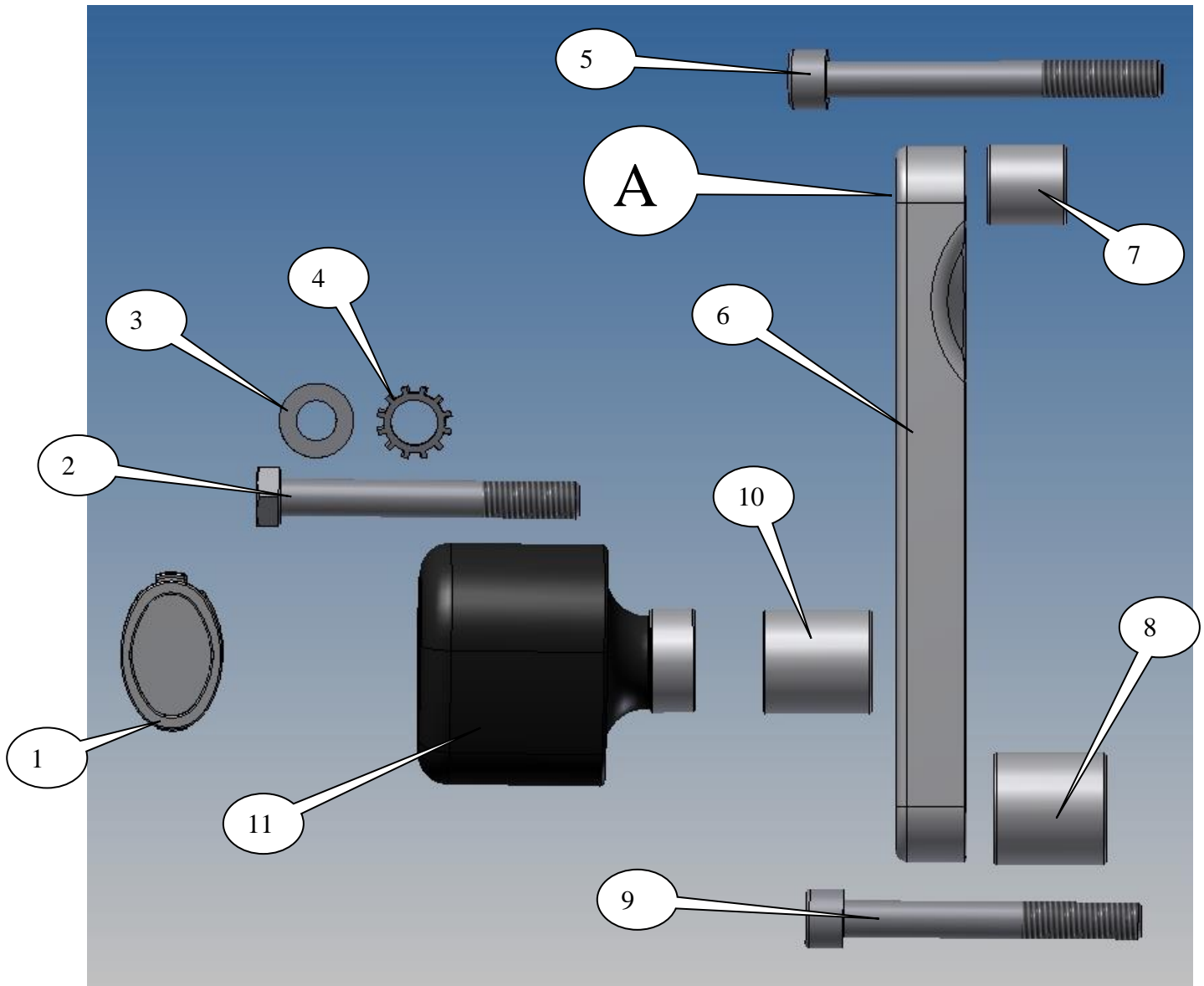
GENERAL TORQUE SETTINGS

M4 BOLT = 8Nm
M5 BOLT = 12Nm
M6 BOLT = 15Nm
M8 BOLT = 20Nm
M10 BOLT = 40Nm

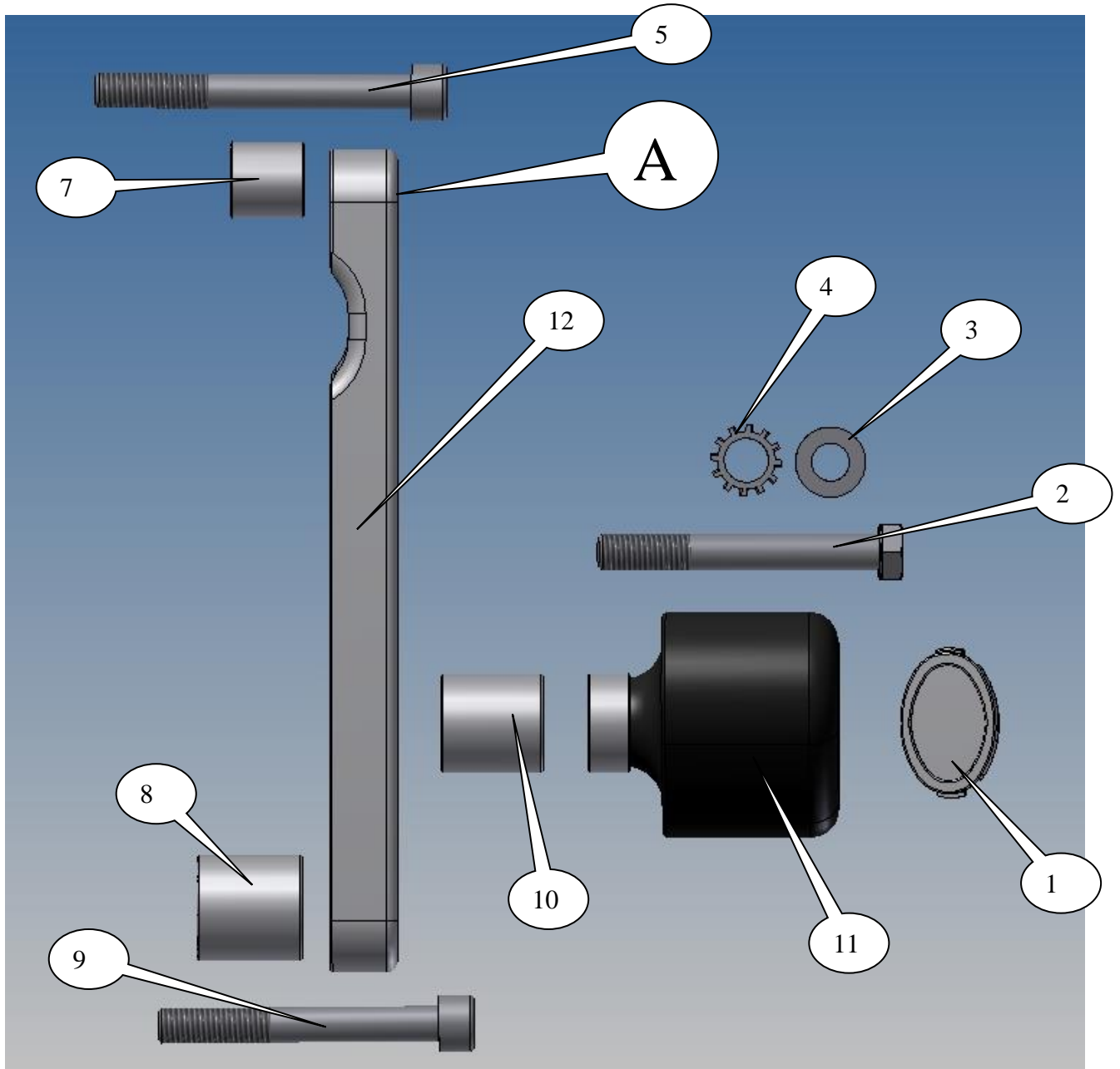
R&G Racing

Unit 1 Shelleys Lane, East Worldham, Alton, Hants GU34 3AQ

Tel: +44 (0)1420 89007 Fax: +44 (0)1420 87301 www.rg-racing.com Email: info@rg-racing.com



LEFT HAND SIDE



RIGHT HAND SIDE
TOOLS REQUIRED

- Socket set to include 10 and 17mm A/F sockets and wrench.
 - 4, 5, 6 and 8mm Allen keys.
 - Phillips driver.
 - Torque wrench (up to 40Nm).

R&G Racing

Unit 1 Shelleys Lane, East Worldham, Alton, Hants GU34 3AQ

Tel: +44 (0)1420 89007 Fax: +44 (0)1420 87301 www.rg-racing.com Email: info@rg-racing.com



LEGEND

- ITEM 1 = CRASH PROTECTOR CAPS, R&LHS (BC0002) (x2).
- ITEM 2 = CRASH PROTECTOR BOLTS, M10x1.25x85mm LONG HEX HEAD (x2).
- ITEM 3 = M10 PLAIN WASHERS, R&LHS (x2).
- ITEM 4 = LOCKING WASHERS, R&LHS (LW0001) (x2).
- ITEM 5 = FRONT MOUNTING BLOCK BOLTS M10x1.25x90mm LONG CAP HEAD (x2).
- ITEM 6 = MOUNTING BLOCK LHS (M0413) (x1).
- ITEM 7 = SPACERS, FRONT R&LHS (S0830=21mm LONG) (x2).
- ITEM 8 = SPACERS, REAR R&LHS (S0831=30mm LONG) (x2).
- ITEM 9 = REAR BLOCK MOUNTING BOLTS, M10x1.25x85mm LONG CAP HEAD (x2).
- ITEM 10 = CRASH PROTECTOR SPACERS, R&LHS (S0832=29mm LONG) (x2).
- ITEM 11 = CRASH PROTECTORS, R&LHS (B0431 with CS0341 (10mm) (x2).
- ITEM 12 = MOUNTING BLOCK RHS (M0414) (x1).



Picture 1



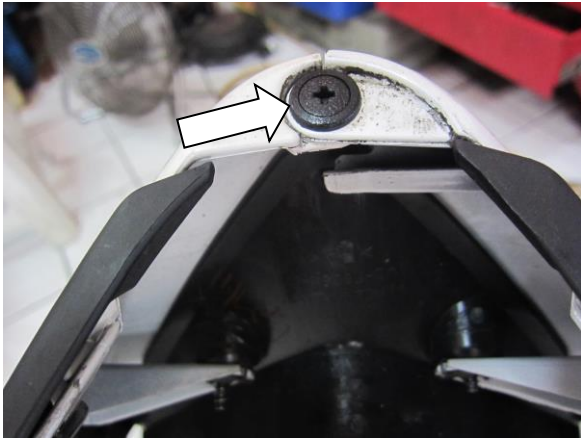
Picture 2



Picture 3



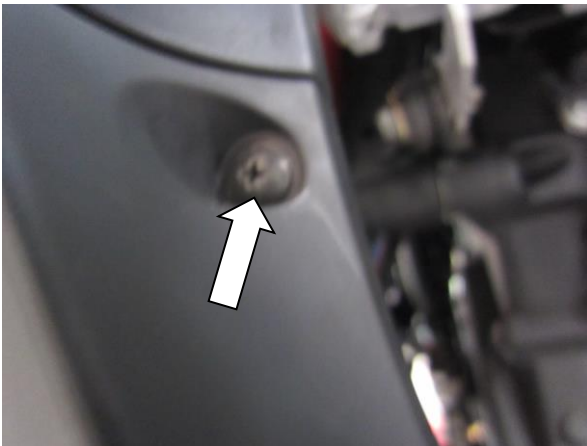
Picture 4



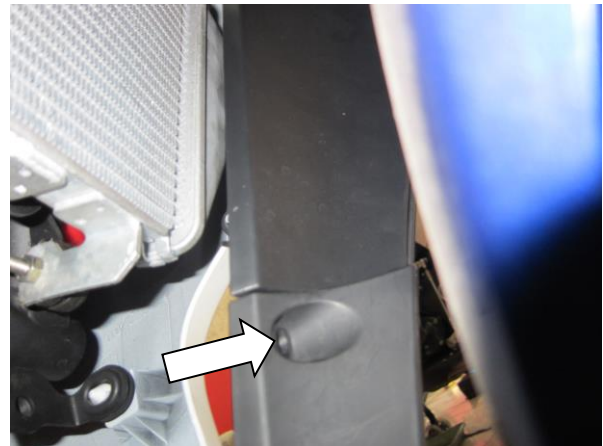
Picture 5



Picture 6



Picture 7



Picture 8



Picture 9



Picture 10



Picture 11



Picture 12



Picture 13



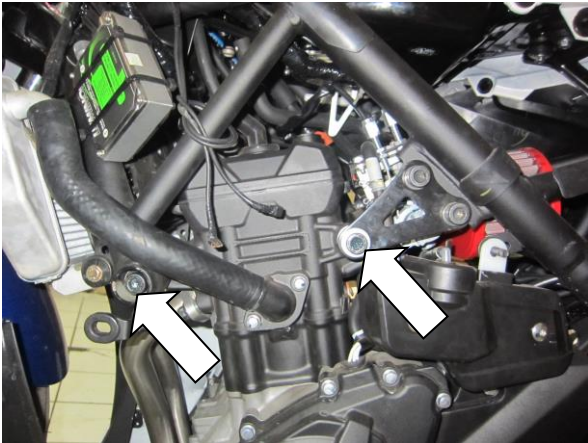
Picture 14



Picture 15



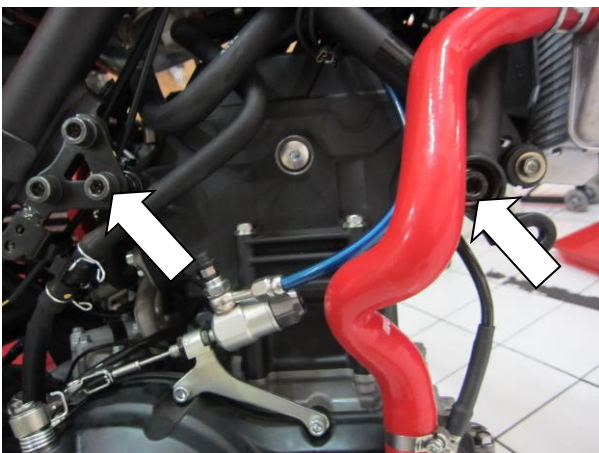
Picture 16



Picture 17



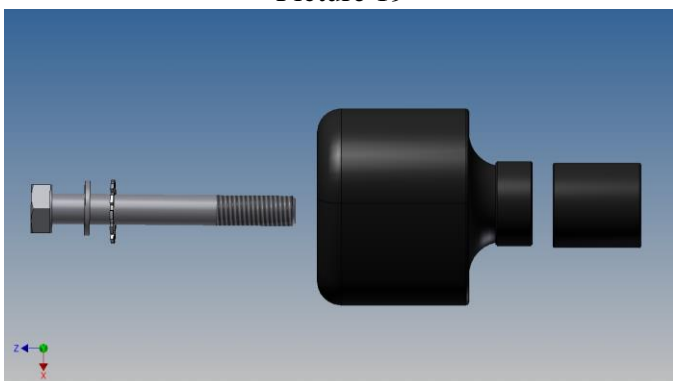
Picture 18



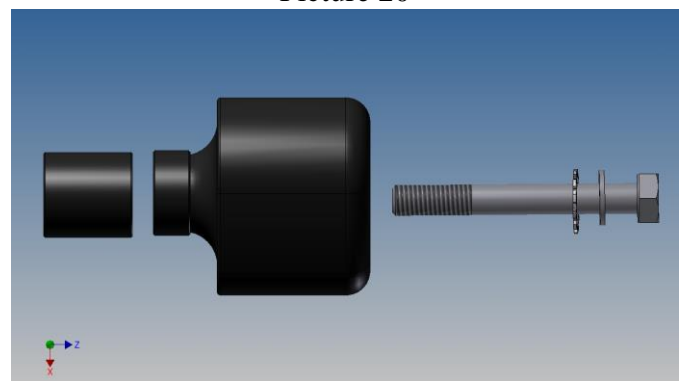
Picture 19



Picture 20



Picture 21



Picture 22



FITTING INSTRUCTIONS

Near side (left side as you sit on bike)

- Remove the two bolts arrowed in pictures 1 and 2 and remove the left hand side plastic infill panel.
- Remove the two bolts arrowed in picture 3 and remove the plastic seat/frame panel.
- Remove the bolts and plastic rivets arrowed in pictures 4 thru 9 and carefully remove the left hand side fairing.

Off side (right side as you sit on bike)

- Remove the two bolts arrowed in pictures 11 and 12 and remove the right hand side plastic infill panel.
- Remove the two bolts arrowed in picture 13 and remove the plastic seat/frame panel.
- Remove the bolts and plastic rivets arrowed in pictures 14 thru 16 and carefully remove the right hand side fairing.

Near side (left side as you sit on bike)

- Remove the two bolts arrowed in picture 17.
- Place one of the longest cap head bolts (item 5=90mm long) through the hole nearest the cut-out (labelled A in the parts diagram on page 2) in the shortest mounting block (item 6) so the head of the bolt goes into the counter-bore.
- Place one of the shortest spacers (item 7=21mm) over the exposed end of the bolt.
- Place one of the shortest cap head bolts (item 9=85mm long) into the rear most hole so the head of the bolt goes into the counter-bore.
- Place one of the longest spacers (item 8) over the exposed end of the bolt.
- Offer this assembly into position as shown in picture 18 and engage both bolts and tighten evenly. Do not exceed 40 N/m of torque.

Off side (right side as you sit on bike)

- Remove the two bolts arrowed in picture 19.
- Place the remaining longest cap head bolt (item 5=90mm long) through the hole nearest the cut-out (labelled B in the parts diagram on page 3) in the longest mounting block (item 12) so the head of the bolt goes into the counter-bore.
- Place the remaining shortest spacer (item 7=21mm) over the exposed end of the bolt.
- Place the remaining shortest cap head bolt (item 9=85mm long) into the rear most hole so the head of the bolt goes into the counter-bore.
- Place the remaining longest spacer (item 8) over the exposed end of the bolt.
- Offer this assembly into position as shown in picture 20 and engage both bolts and tighten evenly. Do not exceed 40 N/m of torque.

Near side (left side as you sit on bike)

- Refit all the left hand side fairings and panels as original.

Off side (right side as you sit on bike)

- Refit all the right hand side fairings and panels as original.

Near side (left side as you sit on bike)

- Place one of the plain washers (item 3) onto one of the hex headed bolts (item 2=85mm long) as shown in picture 21.



- Place one of the locking washers (item 4) over the bolt and against the washer just fitted as shown in picture 21.
- Place the bolt and washers through one of the crash protectors (item 11) as shown in picture 21.
- Place one of the remaining spacers (item 10=29mm long) over the exposed end of the bolt as shown in picture 21.
- Offer this assembly into position as shown in picture 'A' on page 1 (please ensure no parts come in contact with any fairing panels). Finally tighten the crash protector bolts until you feel some compression from inside the protector using 17mm socket and wrench. **PLEASE NOTE THE CRASH PROTECTOR MUST BE POSITIONED AS IN PICTURE 'C' WITH BIGGER END TOWARD FRONT OF BIKE.** Turn a little more so that you feel the compression increase slightly. Then apply a quarter turn. Do not over tighten as damage can occur to the bike. Do not exceed 40 N/m of torque.
- If not already fitted, fit bubble sticker into recess of crash protector cap (item 1).
- Fit crash protector cap (item 1) into the crash protector.

Off side (right side as you sit on bike)

- Place the remaining plain washer (item 3) onto the remaining hex headed bolt (item 2=85mm long) as shown in picture 22.
- Place the remaining locking washer (item 4) over the bolt and against the washer just fitted as shown in picture 22.
- Place the bolt and washers through the remaining crash protector (item 11) as shown in picture 22.
- Place the remaining spacer (item 10=29mm long) over the exposed end of the bolt as shown in picture 22.
- Offer this assembly into position as shown in picture 'B' on page 1 (please ensure no parts come in contact with any fairing panels). Finally tighten the crash protector bolts until you feel some compression from inside the protector using 17mm socket and wrench. **PLEASE NOTE THE CRASH PROTECTOR MUST BE POSITIONED AS IN PICTURE 'C' WITH BIGGER END TOWARD FRONT OF BIKE.** Turn a little more so that you feel the compression increase slightly. Then apply a quarter turn. Do not over tighten as damage can occur to the bike. Do not exceed 40 N/m of torque.
- If not already fitted, fit bubble sticker into recess of crash protector cap (item 1).
- Fit crash protector cap (item 1) into the crash protector.

ISSUE 1 20/11/2014 (NSY)

CONSUMER NOTICE

The catalogue description and any exhibition of samples are only broad indications of the Products and R&G may make design changes which do not diminish their performance or visual appeal and supplying them in such state shall conform to the order. The Buyer acknowledges no representation or warranty (other than as to title) has been given or will apply to the Products other than those in R&G's order or confirmation and the Buyer confirms it has chosen the Products as being of merchantable quality and suitable for its particular purposes. Where R&G fits the Products or undertakes other services it shall exercise reasonable skill and care and rectify any fault free of charge unless the workmanship has been disturbed. The Buyer is responsible for ensuring that the warranty on the motorcycle is not affected by the fitting of the Products. On return of any defective Products R&G shall at its option either supply a replacement or refund the purchase money but shall not be liable if the Products have been modified or used or maintained otherwise than in accordance with R&G's or manufacturer's instructions and good engineering practice or if the defect arises from accident or neglect. Other than identified above and subject to R&G not limiting its liability for causing death and personal injury, it shall not be liable for indirect or consequential loss and otherwise its liability shall be limited to the amounts paid by the Buyer for the Products or the fitting or service concerned. These terms do not affect the Buyer's statutory rights.

R&G RACING RETURNS POLICY (NON-FAULTY GOODS)

Returns must be pre-authorized (if not pre-authorized the return will be rejected). Goods may only be returned direct to us if they were purchased direct from us (customer must prove if necessary). Otherwise to be returned to original vendor. Goods must be in re-sellable condition, in the opinion of R&G Racing. All returns are subject to a 25% restocking and handling fee (25% of the gross value exc. P&P – at

R&G Racing

Unit 1 Shelleys Lane, East Worldham, Alton, Hants GU34 3AQ

Tel: +44 (0)1420 89007 Fax: +44 (0)1420 87301 www.rg-racing.com Email: info@rg-racing.com



the prevailing price at time of purchase). The customer must pay any and all carriage charges. No returns of discontinued products, unless within 14 days of purchase. This policy does not affect your statutory rights and does not refer to faulty goods.

R&G Racing

Unit 1 Shelleys Lane, East Worldham, Alton, Hants GU34 3AQ

Tel: +44 (0)1420 89007 Fax: +44 (0)1420 87301 www.rg-racing.com Email: info@rg-racing.com



**INSTRUCTIONS DE MONTAGE POUR CP0379BL PROTECTIONS LATÉRALES
YAMAHA YZF-R25/R3 2014-**



PHOTO 'A'



PHOTO 'B'

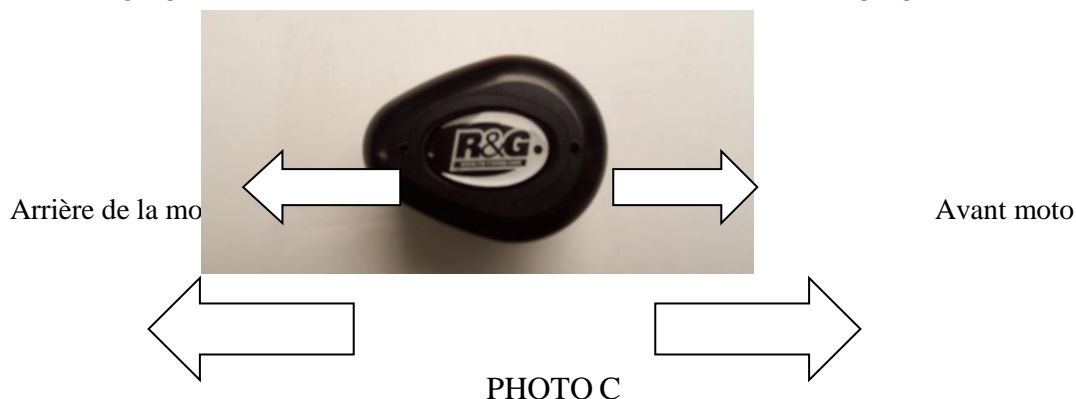


PHOTO C

LE KIT CONTIENT LES ARTICLES EXPOSÉS CI-DESSOUS, VÉRIFIER QUE TOUTES LES PIÈCES SOIENT PRÉSENTES AVANT DE PROCÉDER AU MONTAGE.

LA FAÇON DONT LE KIT EST EMBALLÉ NE CORRESPOND PAS FORCÉMENT À LA FAÇON DE MONTER LES PIÈCES SUR LA MOTO.

⚠ Notez que si les kits sont emballés avec des rondelles en caoutchouc servant à tenir les composants, *ces rondelles doivent être jetées!*

LES PARTIES PRÉSENTÉES PEUVENT ÊTRE UNIQUEMENT REPRESENTATIVES (POUR LA CLARTE DES INSTRUCTIONS UNIQUEMENT).

Ces instructions sont disponibles au téléchargement sur www.rg-racing.com

R&G Racing

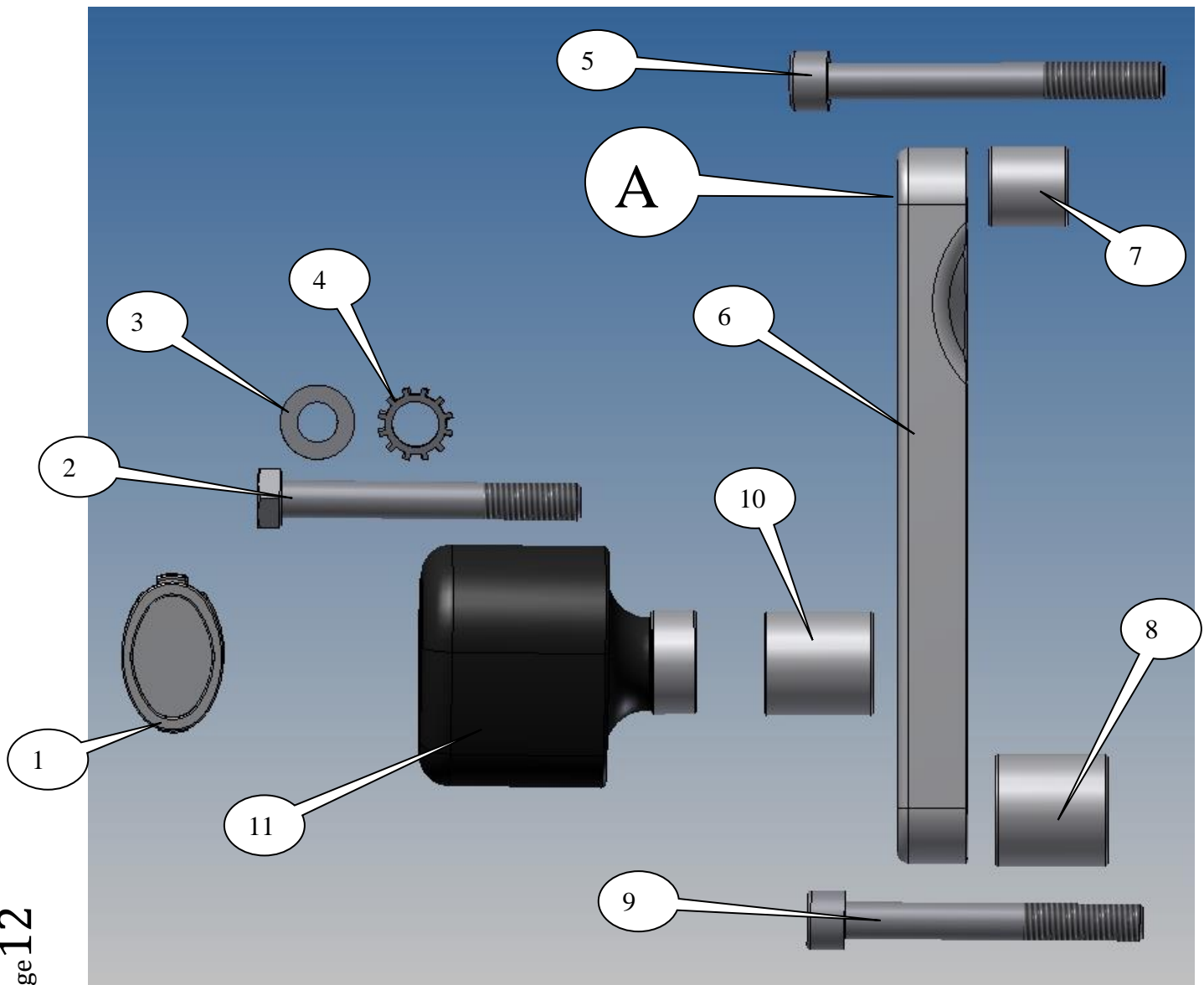
Unit 1 Shelleys Lane, East Worldham, Alton, Hants GU34 3AQ

Tel: +44 (0)1420 89007 Fax: +44 (0)1420 87301 www.rg-racing.com Email: info@rg-racing.com



COUPLES DE SERRAGE

M4 BOULON = 8Nm
 M5 BOULON = 12Nm
 M6 BOULON = 15Nm
 M8 BOULON = 20Nm
 M10 BOULON = 40Nm



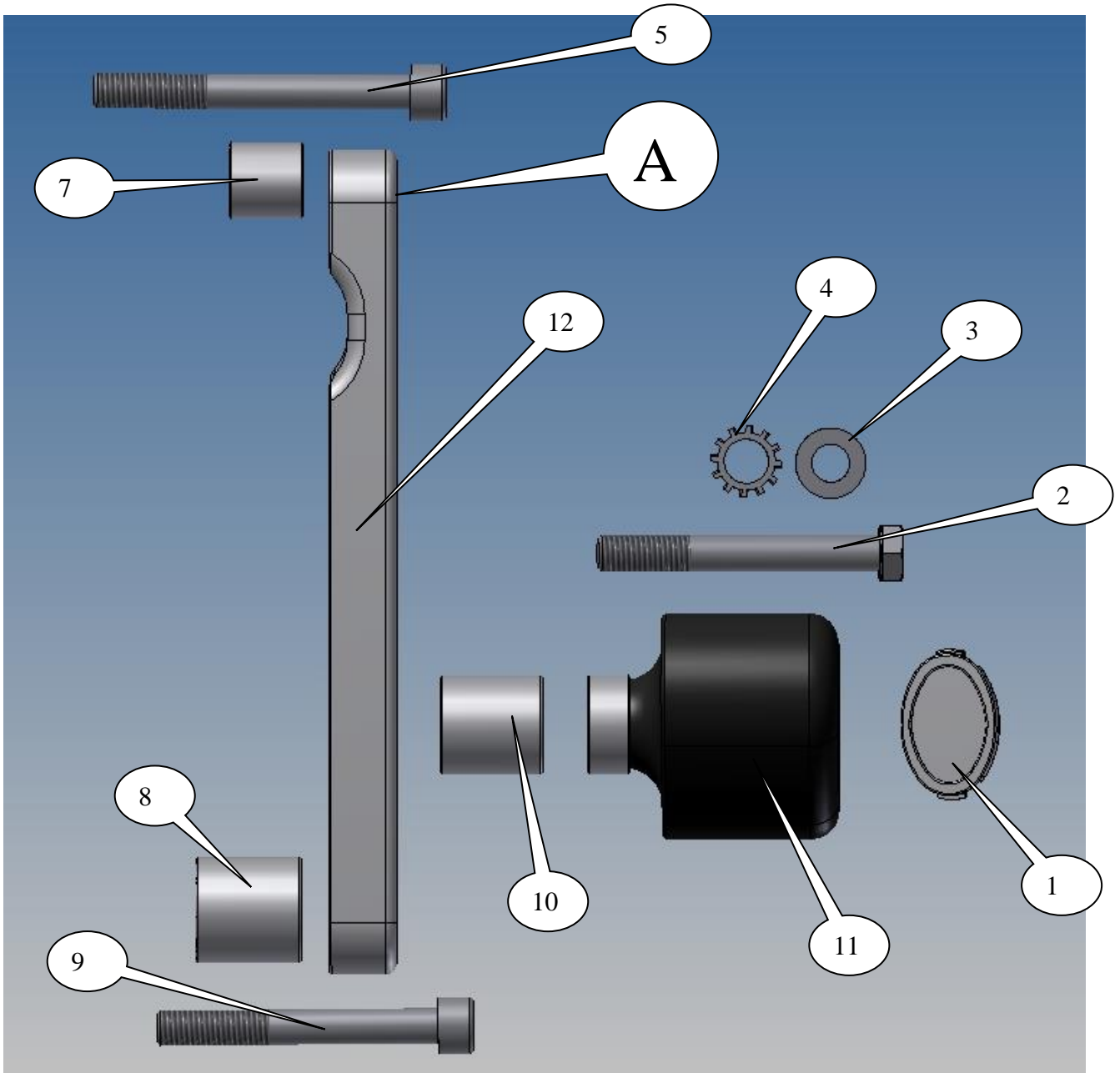
R&G Racing

Unit 1 Shelleys Lane, East Worldham, Alton, Hants GU34 3AQ

Tel: +44 (0)1420 89007 Fax: +44 (0)1420 87301 www.rg-racing.com Email: info@rg-racing.com



Coté gauche



Coté droit

R&G Racing

Unit 1 Shelleys Lane, East Worldham, Alton, Hants GU34 3AQ

Tel: +44 (0)1420 89007 Fax: +44 (0)1420 87301 www.rg-racing.com Email: info@rg-racing.com



OUTILS REQUIS

- Jeu de clés à douille 10 et 17mm.
- Clés Allen 4, 5, 6 et 8mm.
 - Tournevis cruciforme.
- Clé dynamométrique (à 40Nm).

LEGENDE

- ARTICLE 1 = CAPUCHONS DE PROTECTION CRASH, GAUCHE ET DROITE (BC0002) (x2).
 ARTICLE 2 = BOULONS DE PROTECTION CRASH M10x1.25x85mm (x2).
 ARTICLE 3 = RONDELLES PLATES M10, GAUCHE ET DROITE (x2).
 ARTICLE 4 = RONDELLES DE BLOCAGE GAUCHE ET DROITE (LW0001) (x2).
 ARTICLE 5 = BOULONS DE BLOC DE MONTAGE AVANT M10x1.25x90mm (x2).
 ARTICLE 6 = BLOC DE MONTAGE GAUCHE (M0413) (x1).
 ARTICLE 7 = ENTRETOISES, AVANT GAUCHE ET DROITE (S0830=21mm DE LONG) (x2).
 ARTICLE 8 = ENTRETOISES ARRIERE, DROITE ET GAUCHE (S0831=30mm DE LONG) (x2).
 ARTICLE 9 = BOULONS DE BLOC DE FIXATION ARRIERE, M10x1.25x85mm (x2).
 ARTICLE 10 = ENTRETOISES DE PROTECTION CRASH, DROITE ET GAUCHE (S0832=29mm DE LONG) (x2).
 ARTICLE 11 = PROTECTIONS CRASH GAUCHE ET DROITE (B0431 avec CS0341 (10mm) (x2).
 ARTICLE 12 = BLOC DE MONTAGE DROIT (M0414) (x1).



Photo 1



Photo 2



Photo 3



Photo 4



Photo 5

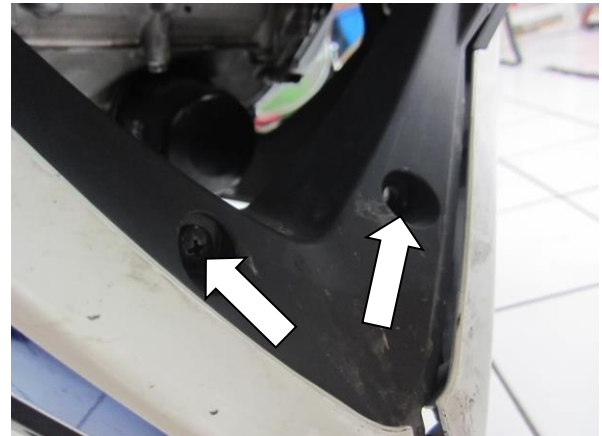


Photo 6

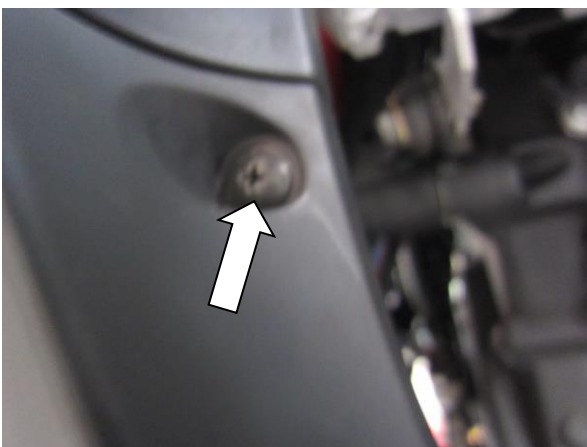


Photo 7

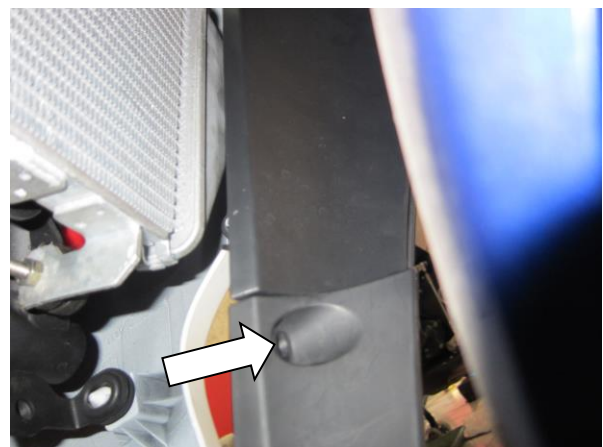


Photo 8



Photo 9



Photo 10



Photo 11



Photo 12



Photo 13



Photo 14



Photo 15



Photo 16

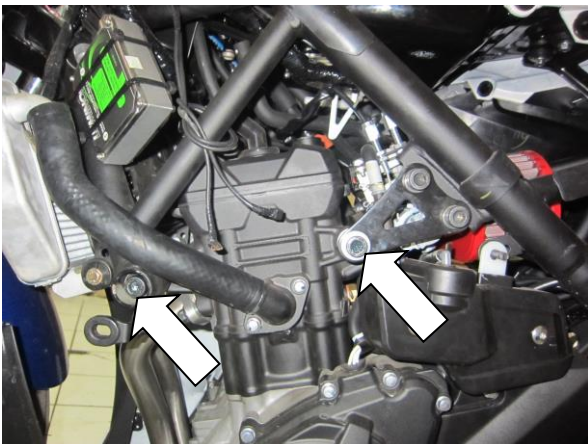


Photo 17

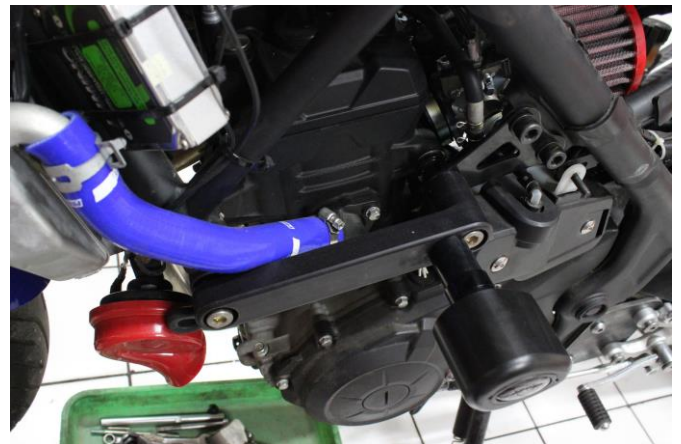


Photo 18

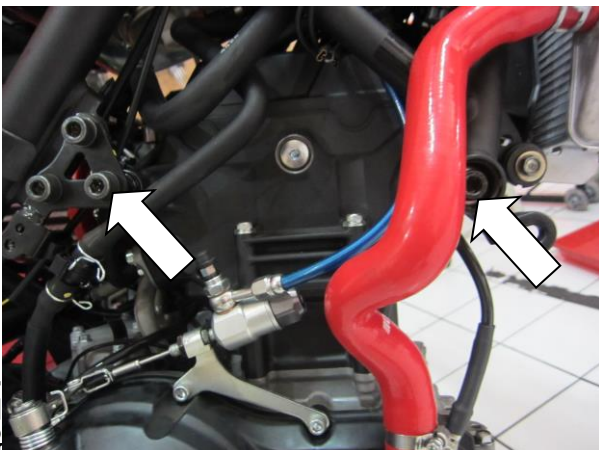


Photo 19



Photo 20

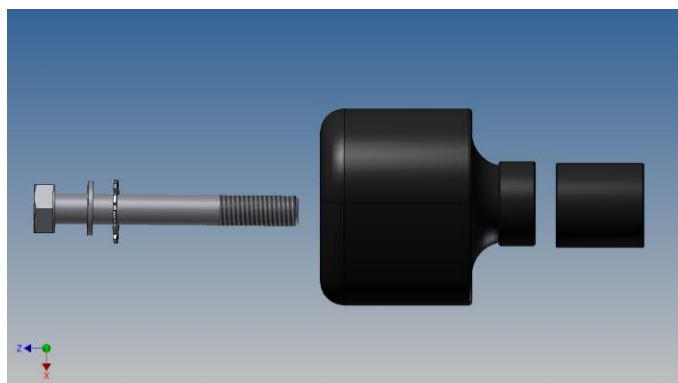


Photo 21

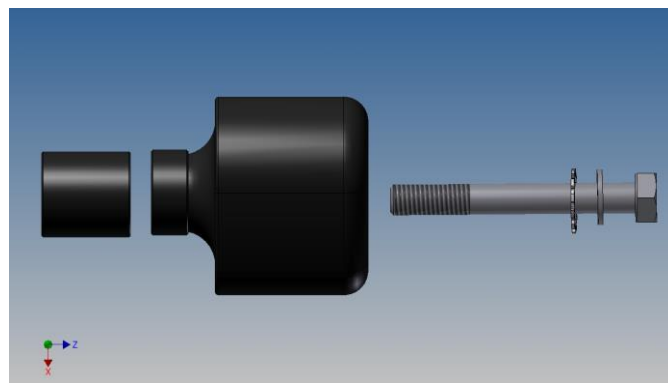


Photo 22

INSTRUCTIONS DE MONTAGE

Coté gauche assis sur la moto

- Enlever les deux boulons (photos 1 et 2) et enlever le cache plastique coté gauche.
- Enlever les deux boulons (photo 3) et enlever le cache siège/cadre.
- Enlever les boulons et rivets plastique (photos 4 à 9) et enlever le carénage coté gauche

Coté droit assis sur la moto

- Enlever les deux boulons photos 11 et 12 et enlever le cache plastique coté droit.
- Enlever les deux boulons photo 13 et enlever le cache siège/cadre.
- Enlever les boulons et rivets plastique (photos 14 à 16) et enlever le carénage coté droit.

Coté gauche assis sur la moto

- Enlever les deux boulons photo 17.
- Placer un des plus longs boulons (article 5=90mm de long) dans le trou le plus proche de l'ouverture (identifié A dans le diagramme des pièces sur la page 2) dans le bloc de fixation le plus court (article 6) de façon à ce que la tête du boulon aille dans le contre alésage.
- Placer une des entretoises les plus courtes (article 7=21mm) sur l'extrémité du boulon.
- Placer un des boulons les plus courts (article 9=85mm de long) dans le trou le plus à l'arrière de façon à ce que la tête du boulon aille dans le contre alésage.
- Placer une des entretoises les plus longues (article 8) sur l'extrémité du boulon.
- Placer l'ensemble en position, voir photo 18 et engager les 2 boulons puis serrer de façon identique, sans excéder 40 N/m de couple.

Coté droit assis sur la moto

- Enlever les deux boulons photo 19.
- Placer le long boulon restant (article 5=90mm de long) dans le trou le plus proche de l'ouverture (identifié B dans le diagramme des pièces sur la page 3) dans le bloc de fixation le plus long (article 12) de façon à ce que la tête du boulon aille dans le contre alésage.
- Placer l'entretoise courte restante (article 7=21mm) sur l'extrémité du boulon.
- Placer le boulon le plus court restant (article 9=85mm de long) dans le trou le plus en arrière façon à ce que la tête du boulon aille dans le contre alésage.



- Placer la longue entretoise restante (article 8) sur l'extrémité du boulon.
- Placer l'ensemble en position, voir photo 20 et engager les 2 boulons puis serrer de façon identique, sans excéder 40 N/m de couple.

Coté gauche assis sur la moto

- Remettre tous les carénages et caches coté gauche comme au départ.

Coté droit assis sur la moto

- Remettre tous les carénages et caches coté droit comme au départ.

Coté gauche assis sur la moto

- Placer une des rondelles plates (article 3) sur un des boulons (article 2=85mm de long) voir photo 21.
- Placer une des rondelles de blocage (article 4) sur le boulon et contre la rondelle tout juste installée, voir photo 21.
- Placer le boulon et les rondelles dans une des protections crash (article 11) voir photo 21.
- Placer une des entretoises restantes (article 10=29mm de long) sur l'extrémité du boulon, voir photo 21.
- Placer cet ensemble en position, voir photo 'A' sur la page 1 (Veiller à ce qu'aucune partie ne puisse toucher les carénages). Serrer le boulon de la protection jusqu'à ce que vous sentiez une compression de l'intérieur de la protection avec une clé de 17mm. **LA PROTECTION DOIT ETRE POSITIONNEE COMME EN "C" AVEC LE COTE ARRONDI LE PLUS GROS EN DIRECTION DE L'AVANT DE LA MOTO.** Tourner un peu plus afin d'accentuer légèrement la compression. Faire un quart de tour. Pas plus de 40 Nm de couple - Ne pas trop serrer, au risque d'abîmer les composants.
- Placer le sticker R&G dans le creux du capuchon de la protection (article 1).
- Placer le capuchon de la protection crash dans la protection crash.

Coté droit assis sur la moto

- Placer la rondelle plate restante (article 3) sur le boulon restant (article 2=85mm de long) voir photo 22.
- Placer la rondelle de blocage restante (article 4) sur le boulon et contre la rondelle tout juste insérée, voir photo 22.
- Placer le boulon et les rondelles dans la protection crash restante (article 11) voir photo 22.
- Placer l'entretoise restante (article 10=29mm de long) sur l'extrémité du boulon, voir photo 22.
- Placer cet ensemble en position, voir photo 'B' sur la page 1 (Veiller à ce qu'aucune partie ne puisse toucher les carénages). Serrer le boulon de la protection jusqu'à ce que vous sentiez une compression de l'intérieur de la protection avec une clé de 17mm. **LA PROTECTION DOIT ETRE POSITIONNEE COMME EN "C" AVEC LE COTE ARRONDI LE PLUS GROS EN DIRECTION DE L'AVANT DE LA MOTO.** Tourner un peu plus afin d'accentuer légèrement la compression. Faire un quart de tour. Pas plus de 40 Nm de couple - Ne pas trop serrer, au risque d'abîmer les composants.
- Placer le sticker R&G dans le creux du capuchon de la protection (article 1).
- Placer le capuchon de la protection crash dans la protection crash.

ISSUE 1 20/11/2014 (NSY)



CONSUMER NOTICE

The catalogue description et any exhibition of samples are only broad indications of the Products et R&G may make design changes which do not diminish their performance or visual appeal et supplying them in such state shall conform to the order. The Buyer acknowledges no representation or warranty (other than as to title) has been given or will apply to the Products other than those in R&G's order or confirmation et the Buyer confirms it has chosen the Products as being of merchantable quality et suitable for its particular purposes. Where R&G fits the Products or undertakes other services it shall exercise reasonable skill et care et rectify any fault free of charge unless the workmanship has been disturbed. The Buyer is responsible for ensuring that the warranty on the motorcycle is not affected by the fitting of the Products. On return of any defective Products R&G shall at its option either supply a replacement or refund the purchase money but shall not be liable if the Products have been modified or used or maintained otherwise than in accordance with R&G's or manufacturer's instructions et good engineering practice or if the defect arises from accident or neglect. Other than identified above et subject to R&G not limiting its liability for causing death et personal injury, it shall not be liable for indirect or consequential loss et otherwise its liability shall be limited to the amounts paid by the Buyer for the Products or the fitting or service concerned. These terms do not affect the Buyer's statutory rights.

R&G RACING RETURNS POLICY (NON-FAULTY GOODS)

Returns must be pre-authorized (if not pre-authorized the return will be rejected). Goods may only be returned direct to us if they were purchased direct from us (customer must prove if necessary). Otherwise to be returned to original vendor. Goods must be in re-sellable condition, in the opinion of R&G Racing. All returns are subject to a 25% restocking et handling fee (25% of the gross value exc. P&P – at the prevailing price at time of purchase). The customer must pay any et all carriage charges. No returns of discontinued products, unless within 14 days of purchase. This policy does not affect your statutory rights et does not refer to faulty goods.

R&G Racing

Unit 1 Shelleys Lane, East Worldham, Alton, Hants GU34 3AQ

Tel: +44 (0)1420 89007 Fax: +44 (0)1420 87301 www.rg-racing.com Email: info@rg-racing.com