



FITTING INSTRUCTIONS FOR CP0433BL
AERO CRASH PROTECTORS
DUCATI MONSTER 797 2017-



LEFT SIDE

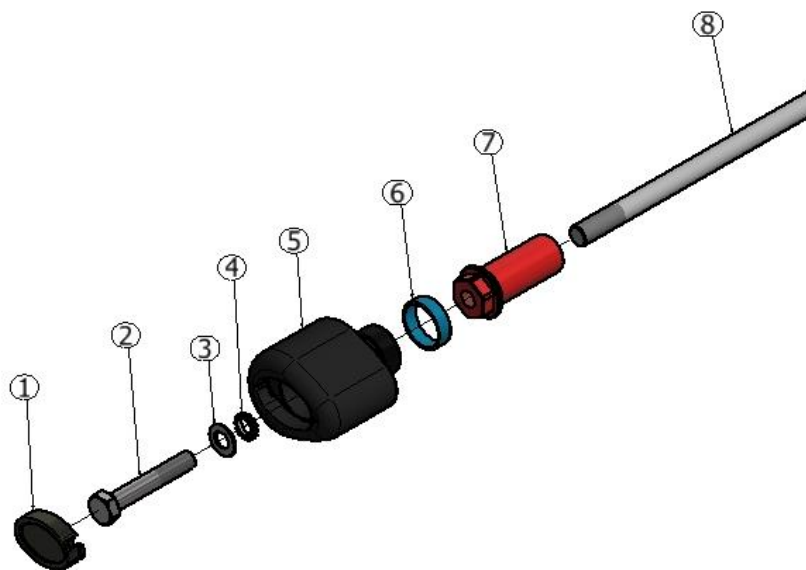


RIGHT SIDE

THIS KIT CONTAINS THE ITEMS PICTURED AND LABELLED BELOW.
DO NOT PROCEED UNTIL YOU ARE SURE ALL PARTS ARE PRESENT.

Please note that the way the kit is packed does not necessarily represent the way of mounting to the bike.

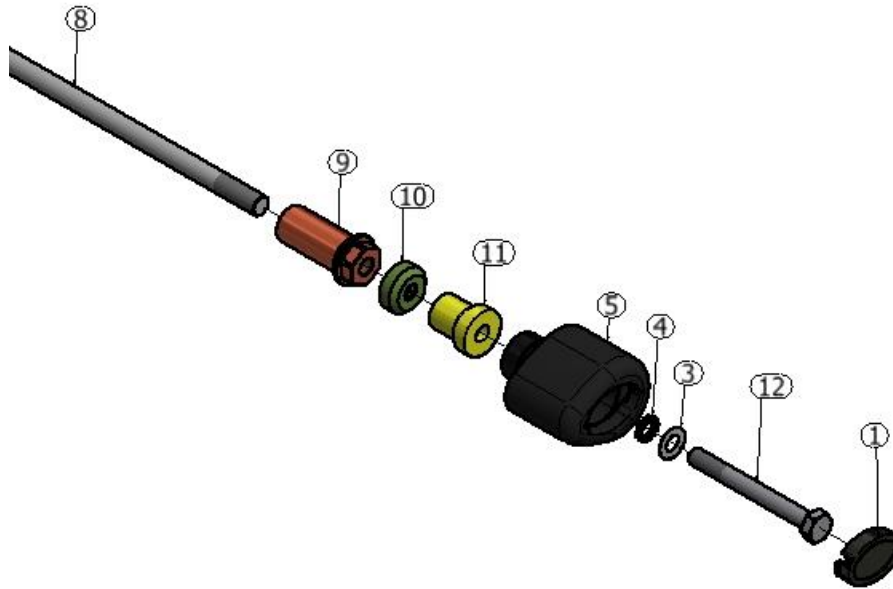
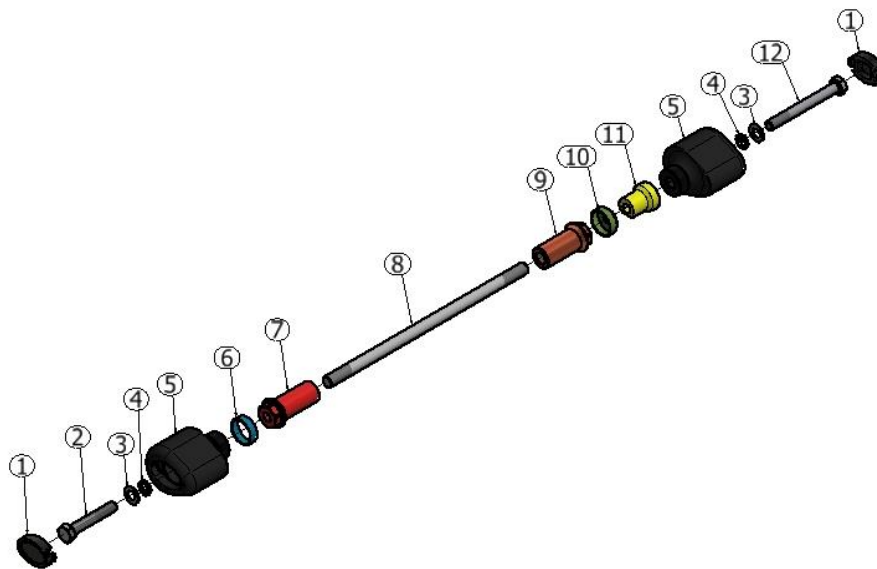
THE PARTS SHOWN MAY BE REPRESENTATIVE ONLY (FOR CLARITY OF INSTRUCTIONS ONLY).

**LEFT SIDE**

R&G Racing

Unit 1, Shelley's Lane, East Worldham, Alton, Hampshire, GU34 3AQ

Tel: +44 (0)1420 89007 Fax: +44 (0)1420 87301 www.rg-racing.com Email: info@rg-racing.com

**RIGHT SIDE****COMPLETE ASSEMBLY****LEGEND**

- ITEM 1 = CRASH PROTECTOR CAPS (BC0002) (x2)
- ITEM 2 = M10 x 1.25 x 60mm LONG HEX HEAD BOLT (x1)
- ITEM 3 = M10 WASHERS (x2)
- ITEM 4 = LOCK-WASHERS (LW0001) (x2)
- ITEM 5 = CRASH PROTECTOR BOBBINS (B0431 with CS341) (x2)
- ITEM 6 = LHS COVER SPACER (S1053 – 8mm LONG) (x1)
- ITEM 7 = LHS EXTENSION SPACER (E0063) (x1)

R&G Racing

Unit 1, Shelley's Lane, East Worldham, Alton, Hampshire, GU34 3AQ

Tel: +44 (0)1420 89007 Fax: +44 (0)1420 87301 www.rg-racing.com Email: info@rg-racing.com



- ITEM 8 = ENGINE BAR (EB052) (x1)
 ITEM 9 = RHS EXTENSION SPACER (E0045) (x1)
 ITEM 10 = RHS COVER SPACER (S1054 – 11mm LONG) (x1)
 ITEM 11 = RHS BOBBIN SPACER (S1055 – 31mm LONG) (x1)
 ITEM 12 = M10 x 1.25 x 95mm LONG HEX HEAD BOLT (x1)

Please note that in cases where kits are packed with rubber washers holding the components onto the bolt – *the rubber washers should be thrown away!*

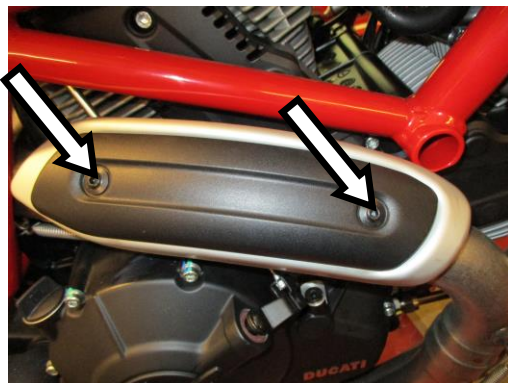
TOOLS REQUIRED

- M4 & M8 Allen Key.
- Socket set to include 16mm & 17mm socket and wrench.
- Torque wrench (up to 40N/m).



GENERAL TORQUE SETTINGS

- M4 BOLT = 8Nm
 M5 BOLT = 12Nm
 M6 BOLT = 15Nm
 M8 BOLT = 20Nm
 M10 BOLT = 40Nm



PICTURE 1



PICTURE 2



PICTURE 3



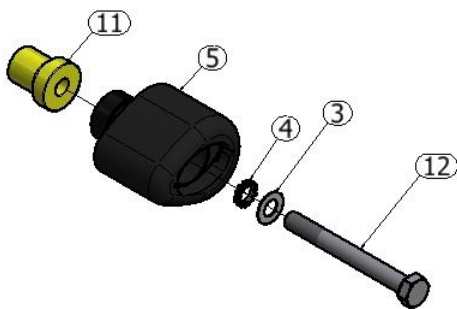
PICTURE 4



PICTURE 5



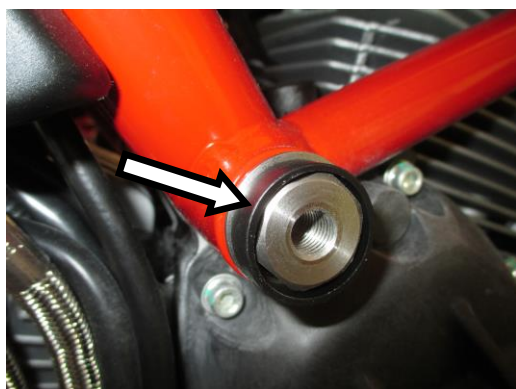
PICTURE 6



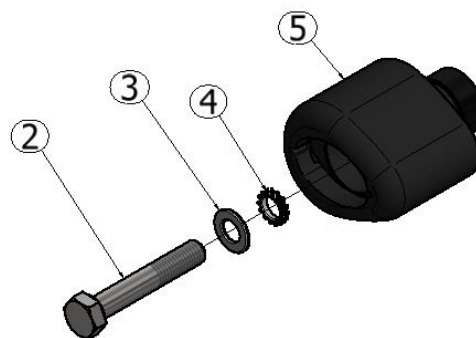
PICTURE 7



PICTURE 8



PICTURE 9



PICTURE 10



PICTURE 11

FITTING INSTRUCTIONS

- On the RHS of the motorcycle, remove the two bolts arrowed in Picture 1 using a 4mm Allen key. Remove the exhaust shield cover.
- Remove the two bolts arrowed in Picture 2 using a 4mm Allen key. Remove the exhaust shield.
- Using a 16mm socket and a wrench on the RHS of the centre engine mount (as shown in Picture 3) and an 8mm Allen key on the LHS (as shown in picture 4), remove the nut of the OEM engine bar on the RHS. Take the new engine bar (Item 8) from the kit, and with a soft hammer, gently use it to knock through the OEM engine bar, leaving equal amounts protruding on each side of the frame.
- Locate the RHS extension spacer (Item 9) onto the protruded engine bar on the RHS with the smaller diameter goes inside the frame (as shown in Picture 5). Do not fully tighten at this stage.
- Locate the LHS extension spacer (Item 7) onto the protruded engine bar on the LHS in the same manner (as shown in Picture 6). Tighten both extension spacers to a specified torque setting.
- On the RHS, locate the RHS cover spacer (item 10) over the hexagonal end of the RHS extension spacer.
- Re-fit the exhaust shield as original at this stage.



- From the kit, assemble the M10 x 95mm long hex head bolt (Item 12), one M10 washer (Item 3), one lock washer (Item 4), one bobbin (Item 5) and the RHS Bobbin spacer (Item 11) as shown in Picture 7. Ensure that the larger end of the spacer sits against the bobbin (Item 5).
- Offer the RHS bobbin assembly towards the RHS extension spacer fitted on the bike, Position the bobbin spacer (Item 11) so that the flat cut side is facing downwards to clear the exhaust shield (as shown in Picture 8). Once cleared, tighten the bobbin bolt until you feel some compression from inside the protector using a 17mm socket and wrench. PLEASE NOTE THE CRASH PROTECTOR MUST BE POSITIONED AS IN PICTURE 'C' WITH BIGGER END TOWARD FRONT OF BIKE. Turn a little more so that you feel the compression increase slightly. Then apply a quarter turn. Do not over tighten as damage can occur to the bike. Do not exceed 40N/m of torque.
- Locate the bobbin cap (Item 1) to the RHS bobbin.
- On the LHS, locate the LHS cover spacer (Item 6) over the hexagonal end of the LHS extension spacer as shown in Picture 9.
- From the kit, assemble the M6 x 60mm long hex head bolt (Item 2), the remaining M10 washer (Item 3) and lock washer (Item 4) through the bobbin (Item 5) as shown in Picture 10.
- Offer the LHS bobbin assembly towards the LHS extension spacer fitted on the bike (as shown in Picture 11). Tighten the crash protector bolt until you feel some compression from inside the protector using a 17mm socket and wrench. PLEASE NOTE THE CRASH PROTECTOR MUST BE POSITIONED AS IN PICTURE 'C' WITH BIGGER END TOWARD FRONT OF BIKE. Turn a little more so that you feel the compression increase slightly. Then apply a quarter turn. Do not over tighten as damage can occur to the bike. Do not exceed 40N/m of torque.
- Locate the bobbin cap (Item 1) to the LHS bobbin.
- Check the assembly matches the exploded diagram on page 1 and offer the assembly up to the bike as shown in the pictures on page 1.
- If not already fitted, fit bubble stickers into recess of both crash protector caps.

ISSUE 1 06/07/2017 (HH)

Digital copies of these instructions are available to download from www.rg-racing.com

CONSUMER NOTICE

The catalogue description and any exhibition of samples are only broad indications of the Products and R&G may make design changes which do not diminish their performance or visual appeal and supplying them in such state shall conform to the order. The Buyer acknowledges no representation or warranty (other than as to title) has been given or will apply to the Products other than those in R&G's order or confirmation and the Buyer confirms it has chosen the Products as being of merchantable quality and suitable for its particular purposes. Where R&G fits the Products or undertakes other services it shall exercise reasonable skill and care and rectify any fault free of charge unless the workmanship has been disturbed. The Buyer is responsible for ensuring that the warranty on the motorcycle is not affected by the fitting of the Products. On return of any defective Products R&G shall at its option either supply a replacement or refund the purchase money but shall not be liable if the Products have been modified or used or maintained otherwise than in accordance with R&G's or manufacturer's instructions and good engineering practice or if the defect arises from accident or neglect. Other than identified above and subject to R&G not limiting its liability for causing death and personal injury, it shall not be liable for indirect or consequential loss and otherwise its liability shall be limited to the amounts paid by the Buyer for the Products or the fitting or service concerned. These terms do not affect the Buyer's statutory rights.

R&G RACING RETURNS POLICY (NON-FAULTY GOODS)

Returns must be pre-authorized (if not pre-authorized the return will be rejected). Goods may only be returned direct to us if they were purchased direct from us (customer must prove if necessary). Otherwise to be returned to original vendor. Goods must be in re-sellable condition, in the opinion of R&G Racing. All returns are subject to a 25% restocking and handling fee (25% of the gross value exc. P&P – at the prevailing price at time of purchase). The customer must pay any and all carriage charges. No returns of discontinued products, unless within 14 days of purchase. This policy does not affect your statutory rights and does not refer to faulty goods.

R&G Racing

Unit 1, Shelley's Lane, East Worldham, Alton, Hampshire, GU34 3AQ

Tel: +44 (0)1420 89007 Fax: +44 (0)1420 87301 www.rg-racing.com Email: info@rg-racing.com



NOTICE DE MONTAGE CP0433BL
PROTECTIONS CRASH
DUCATI MONSTER 797 2017-



CÔTÉ GAUCHE

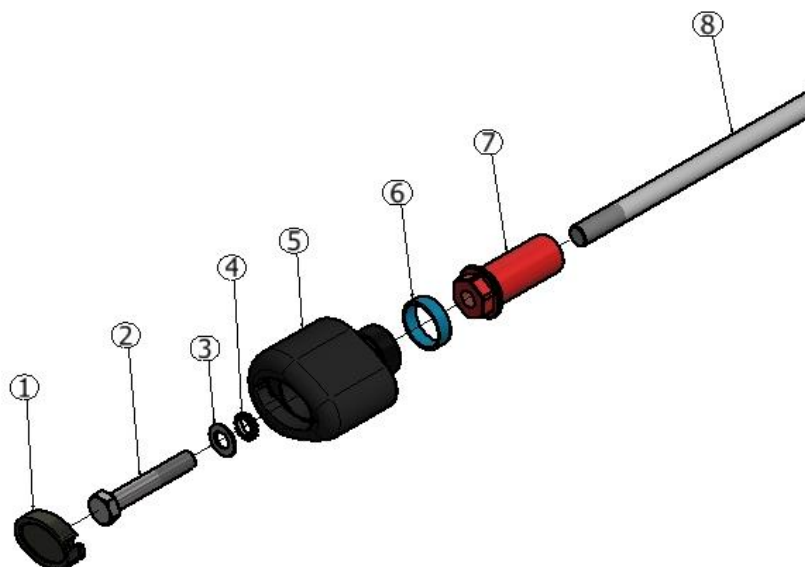


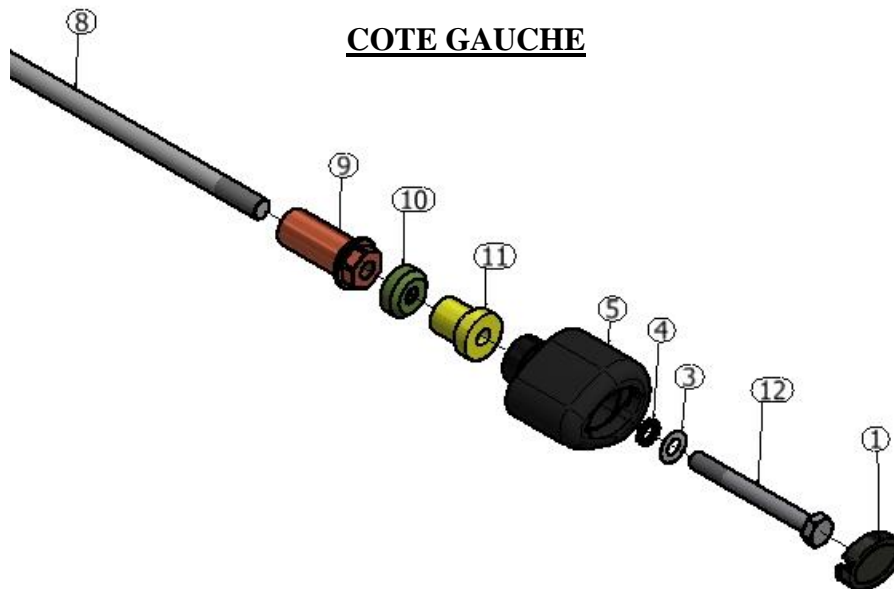
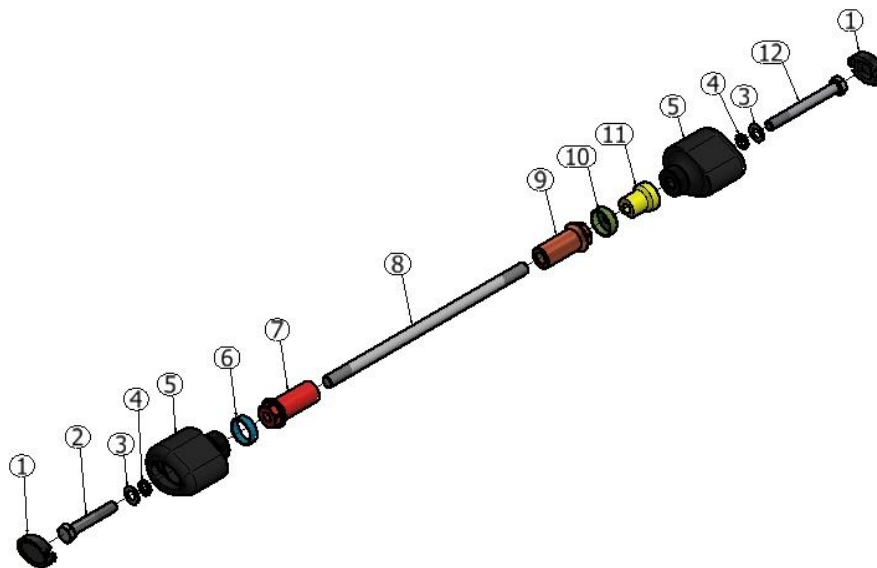
CÔTÉ DROIT

Le kit contient les articles exposés ci-dessous, vérifier que toutes les pièces soient présentes avant de procéder au montage.

La façon dont le kit est emballé ne correspond pas forcément à la façon de monter les pièces sur la moto.

LES PARTIES PRESENTEES PEUVENT ETRE UNIQUEMENT REPRESENTATIVES (POUR LA CLARTE DES INSTRUCTIONS UNIQUEMENT).



**COTE GAUCHE****COTE DROIT****ASSEMBLAGE COMPLET****LÉGENDE**

ARTICLE 1 = CAPUCHONS DE PROTECTION CRASH (BC0002) (x2)

ARTICLE 2 = M10 x 1.25 x 60mm BOULON (x1)

ARTICLE 3 = M10 RONDELLES (x2)

ARTICLE 4 = RONDELLES DE BLOCAGE (LW0001) (x2)

ARTICLE 5 = BOBINES DE PROTECTION CRASH (B0431 avec CS341) (x2)

ARTICLE 6 = ENTRETOISE DE CACHE DU CÔTÉ GAUCHE (S1053 – 8mm DE LONG) (x1)

R&G Racing

Unit 1, Shelley's Lane, East Worldham, Alton, Hampshire, GU34 3AQ

Tel: +44 (0)1420 89007 Fax: +44 (0)1420 87301 www.rg-racing.com Email: info@rg-racing.com



ARTICLE 7 = ENTRETOISE D'EXTENSION DU CÔTÉ GAUCHE (E0063) (x1)
 ARTICLE 8 = AXE MOTEUR (EB052) (x1)
 ARTICLE 9 = ENTRETOISE D'EXTENSION DU CÔTÉ DROIT (E0045) (x1)
 ARTICLE 10 = ENTRETOISE DE CACHE DU CÔTÉ DROIT (S1054 – 11mm DE LONG) (x1)
 ARTICLE 11 = ENTRETOISE DE BOBINE DU CÔTÉ DROIT (S1055 – 31mm DE LONG) (x1)
 ARTICLE 12 = M10 x 1.25 x 95mm BOULON (x1)

Notez que si les kits sont emballés avec des rondelles en caoutchouc servant à tenir les composants, *ces rondelles doivent être jetées !*

OUTILS REQUIS

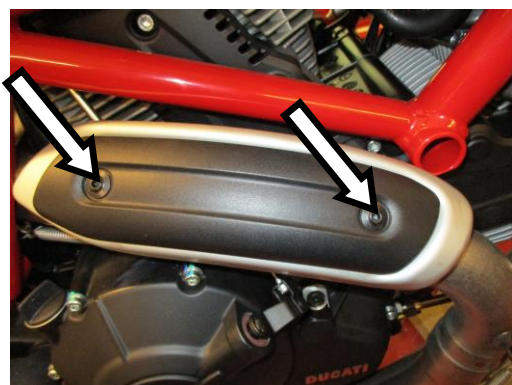
- Clé Allen 4mm et 8mm.
- Clé à cliquet + douilles 16mm & 17mm
- Clé dynamométrique (à 40N/m).

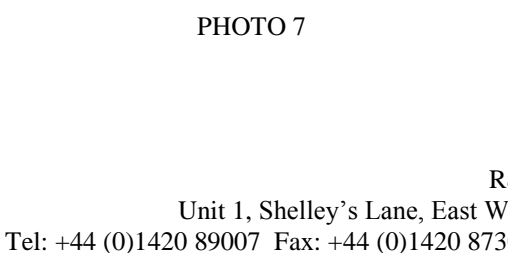
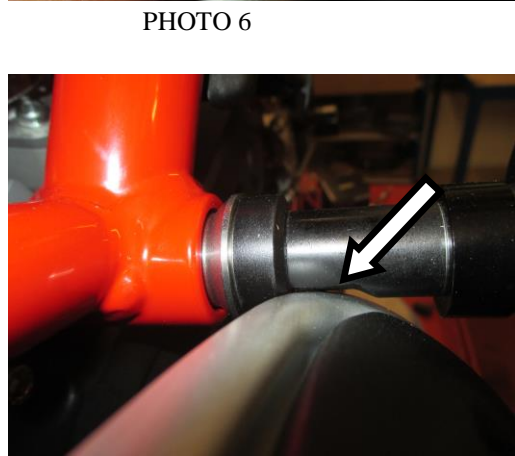
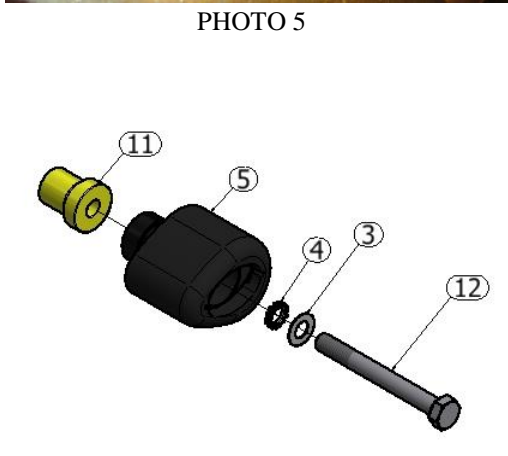
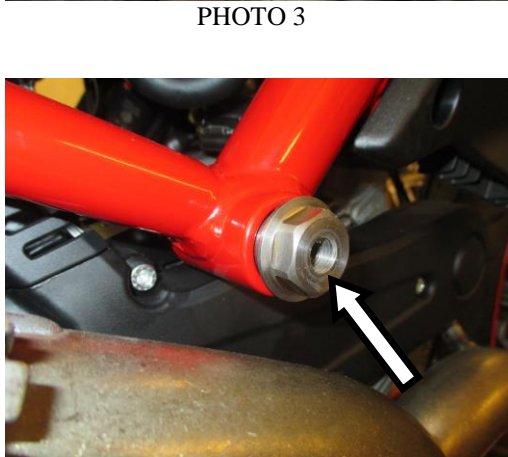
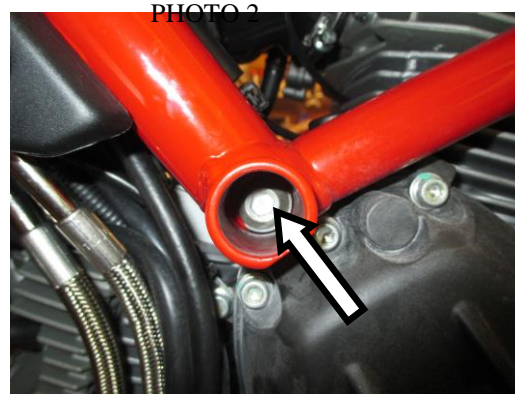


PHOTO C

VALEURS DE SERRAGE RECOMMANDES

M4 BOULON = 8Nm
 M5 BOULON = 12Nm
 M6 BOULON = 15Nm
 M8 BOULON = 20Nm
 M10 BOULON = 40Nm





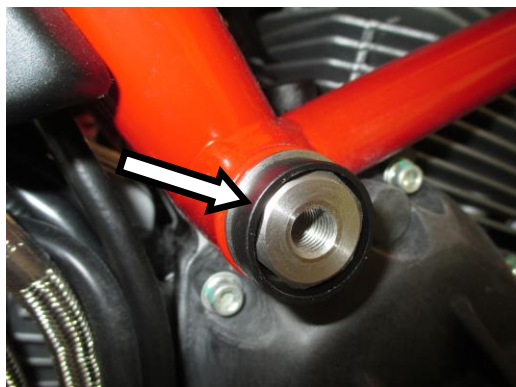


PHOTO 9

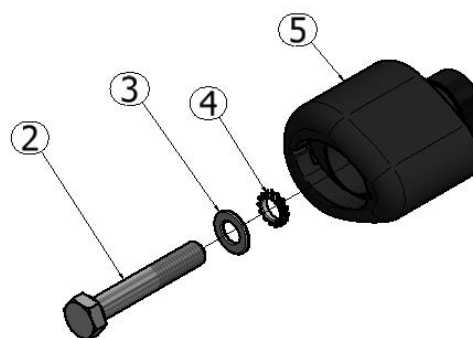


PHOTO 10



PHOTO 11

NOTICE DE MONTAGE:

- Du côté droit de la moto, enlever les 2 boulons indiqués sur la Photo 1 en utilisant une clé Allen 4mm. Enlever le cache bouclier d'échappement
- Enlever les 2 boulons indiqués sur la Photo 2 en utilisant une clé Allen 4mm. Enlever le bouclier d'échappement.
- En utilisant une clé à cliquet de 16mm du côté droit du support moteur central (photo 3) et une clé Allen 8mm du côté gauche (voir photo 4), enlever l'écrou de l'axe moteur du côté droit. Prendre le nouvel axe moteur (Article 8) du kit, et avec un petit maillet, tapoter sur l'axe moteur d'origine, en laissant dépasser des longueurs identiques de chaque côté du cadre.
- Placer l'entretoise d'extension du côté droit (Article 9) sur l'axe moteur dépassant du côté droit avec le petit diamètre allant dans l'intérieur du cadre (voir Photo 5). **NE PAS SERRER COMPLÈTEMENT POUR LE MOMENT.**
- Placer l'entretoise d'extension du côté gauche (Article 7) sur l'axe moteur dépassant du côté gauche de la même façon (voir Photo 6). Serrer les 2 entretoises d'extension aux valeurs de serrage recommandées.



- Du côté droit, placer l'entretoise de cache du côté droit (article 10) sur l'extrémité hexagonale de l'entretoise d'extensio du côté droit.
- Remonter le bouclier d'échappement comme à l'origine.
- Dans le kit, assemblez le boulon M10 x 95mm (Article 12), une rondelle M10 (Article 3), une rondelle de bloc (Article 4), une bobine (Article 5) et l'entretoise de bobine du côté droit (Article 11), voir Photo 7. Veiller à ce que l'extrémité plus large de l'entretoise se place contre la bobine (Article 5).
- Monter l'ensemble de la bobine du côté droit contre l'entretoise d'extension du côté droit montée sur la moto. Positionner l'entretoise de bobine (Article 11) de façon à ce que le bord plat coupé soit orienté vers le bas afin qu'il ne soit pas en contact avec le bouclier d'échappement (voir Photo 8). Une fois que vous vous êtes assuré de cela, Serrer le boulon de la protection jusqu'à ce que vous sentiez une compression de l'intérieur de la protection avec une clé de 17mm. **LA PROTECTION DOIT ETRE POSITIONNEE COMME EN "C" AVEC LE CÔTÉ ARRONDI LE PLUS GROS EN DIRECTION DE L'AVANT DE LA MOTO.** Tourner un peu plus afin d'accentuer légèrement la compression. Faire un quart de tour. Serrer à 40Nm de couple (Ne pas excéder cette valeur, car cela pourrait endommager la moto et le boulon).
- Placer le capuchon de bobine (Article 1) sur la bobine du côté droit.
- Du côté gauche, placer l'entretoise de cache du côté gauche (Article 6) sur l'extrémité hexagonale de l'entretoise d'extension du côté gauche, voir Photo 9.
- Dans le kit, assemblez le boulon M6 x 60mm (Article 2), la rondelle M10 restante (Article 3) et la rondelle de blocage (Article 4) dans la bobine (Article 5), voir Photo 10.
- Monter l'ensemble de la bobine du côté gauche contre l'entretoise d'extension gauche insérée sur la moto (voir Photo 11). Serrer le boulon de la protection jusqu'à ce que vous sentiez une compression de l'intérieur de la protection avec une clé de 17mm. **LA PROTECTION DOIT ETRE POSITIONNEE COMME EN "C" AVEC LE CÔTÉ ARRONDI LE PLUS GROS EN DIRECTION DE L'AVANT DE LA MOTO.** Tourner un peu plus afin d'accentuer légèrement la compression. Faire un quart de tour. Serrer à 40Nm de couple (Ne pas excéder cette valeur, car cela pourrait endommager la moto et le boulon).
- Placer le capuchon de bobine (Article 1) sur la bobine gauche.
- Vérifier que l'ensemble corresponde au schéma indiqué sur la page 1 puis monter l'ensemble sur la moto, voir les photos de la page 1.
- Placer les 2 capuchons (article 1) dans les 2 protections.

ISSUE 1 06/07/2017 (HH)

Notice disponible au téléchargement sur www.rg-racing.com

CONSUMER NOTICE

The catalogue description and any exhibition of samples are only broad indications of the Products and R&G may make design changes which do not diminish their performance or visual appeal and supplying them in such state shall conform to the order. The Buyer acknowledges no representation or warranty (other than as to title) has been given or will apply to the Products other than those in R&G's order or confirmation and the Buyer confirms it has chosen the Products as being of merchantable quality and suitable for its particular purposes. Where R&G fits the Products or undertakes other services it shall exercise reasonable skill and care and rectify any fault free of charge unless the workmanship has been disturbed. The Buyer is responsible for ensuring that the warranty on the motorcycle is not affected by the fitting of the Products. On return of any defective Products R&G shall at its option either supply a replacement or refund the purchase money but shall not be liable if the Products have been modified or used or maintained otherwise than in accordance with R&G's or manufacturer's instructions and good engineering practice or if the defect arises from accident or neglect. Other than identified above and subject to R&G not limiting its liability for causing death and personal injury, it shall not be liable for indirect or consequential loss and otherwise its liability shall be limited to the amounts paid by the Buyer for the Products or the fitting or service concerned. These terms do not affect the Buyer's statutory rights.

R&G Racing

Unit 1, Shelley's Lane, East Worldham, Alton, Hampshire, GU34 3AQ

Tel: +44 (0)1420 89007 Fax: +44 (0)1420 87301 www.rg-racing.com Email: info@rg-racing.com



R&G RACING RETURNS POLICY (NON-FAULTY GOODS)

Returns must be pre-authorized (if not pre-authorized the return will be rejected). Goods may only be returned direct to us if they were purchased direct from us (customer must prove if necessary). Otherwise to be returned to original vendor. Goods must be in re-sellable condition, in the opinion of R&G Racing. All returns are subject to a 25% restocking and handling fee (25% of the gross value exc. P&P – at the prevailing price at time of purchase). The customer must pay any and all carriage charges. No returns of discontinued products, unless within 14 days of purchase. This policy does not affect your statutory rights and does not refer to faulty goods.